

XENYX 1002B

Battery Powered 10 x 2 Mixer

- Premium ultra-low noise analog mixer with optional battery operation
- 2 state-of-the-art XENYX Mic Preamps comparable to stand-alone boutique preamps
- Neo-classic "British" 3-band EQs for warm and musical sound
- 4 balanced, high-headroom stereo inputs with 3 additional mic inputs
- One post-fader FX send and one pre-fader MON send per channel for external FX devices and monitor applications
- Clip LEDs on all channels and dedicated inserts on all mono channels
- Main output plus separate Phones and CD/Tape outputs
- Switchable phantom power for condenser microphones
- Long-wearing 60-mm logarithmic-taper master fader and sealed rotary controls
- External power supply for noise-free audio and superior transient response
- High-quality components and exceptionally rugged construction ensure long life
- Conceived and designed by BEHRINGER Germany

behringer.com

XENYX Mixer

Premium 10-Input 2-Bus Mixer with XENYX Preamps, British EQs and Optional Battery Operation



State-of-the-Art Goes Portable

Whether you plug it into the wall or power it via 9 V batteries, the XENYX 1002B comes equipped with many of the features you've come to expect from our larger mixers, including XENYX mic preamps for amazing sound quality, phantom power for use with professional-grade condenser mics, 2-Track inputs and outputs, and

60 mm faders. The four stereo channels accept left/right or mono 1/4" TRS/TR inputs, and three of them also accommodate microphones (with separate Trim controls). The compact XENYX 1002B mixer also features our highly musical 3-band British EQ, plus an FX and monitor send for each channel, making it a must-have for any audio toolkit.



XENYX 1002B

Battery Powered 10 x 2 Mixer

Superior mic preamps

The XENYX 1002B represents a significant milestone in the development of mixer technology. Equipped with our premium XENYX mic preamps, it can easily hold its own against the most expensive stand-alone mic preamps, both in terms of sound quality and available headroom. XENYX preamps offer a staggering 130 dB of dynamic range, with a bandwidth that extends from below 10 Hz to well above 200 kHz. XENYX mic pres provide such transparent, crystal-clear performance you just might think someone upgraded your mics.

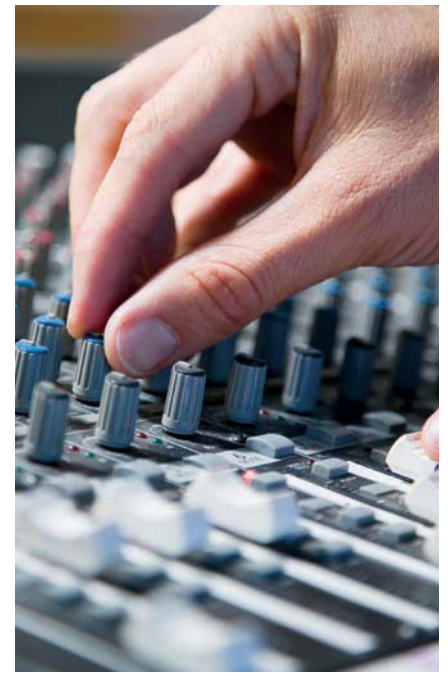
Sublimely musical British EQ

The British consoles of the 1960s and '70s changed the sound of rock and roll—without them the British Invasion might not have happened. Those legendary mixing desks soon became the envy of engineers and producers all over the world. The 3-band EQ on the XENYX 1002B mixer is based on that very same

circuitry, allowing you to imbue signals with incredible warmth and detailed musical character. Even when applied generously, these equalizers exhibit sweet forgiveness and superb audio quality.

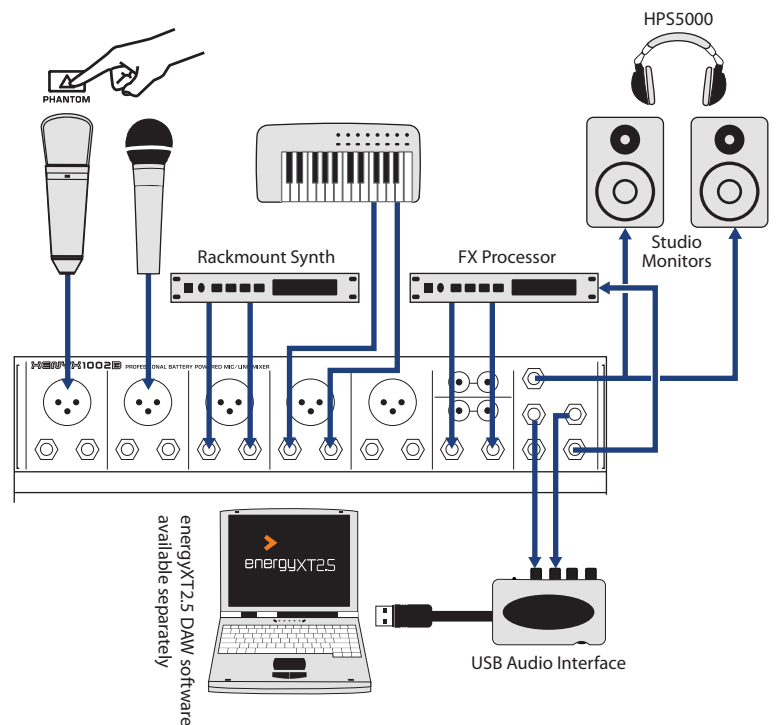
Applications and value

Don't let the small footprint fool you—the XENYX 1002B is built to the same exacting standards as our larger-format XENYX mixers and is housed in an equally rugged steel chassis. It is the ideal choice for keyboardists who need to mix down multiple instruments or sound modules for live or recording applications. Singers who perform with backing tracks, as well as instrumentalists/singers (acoustic guitar or piano bar, for example) find the XENYX 1002B indispensable for patching into “house” systems.



Continued on next page

Recording Setup

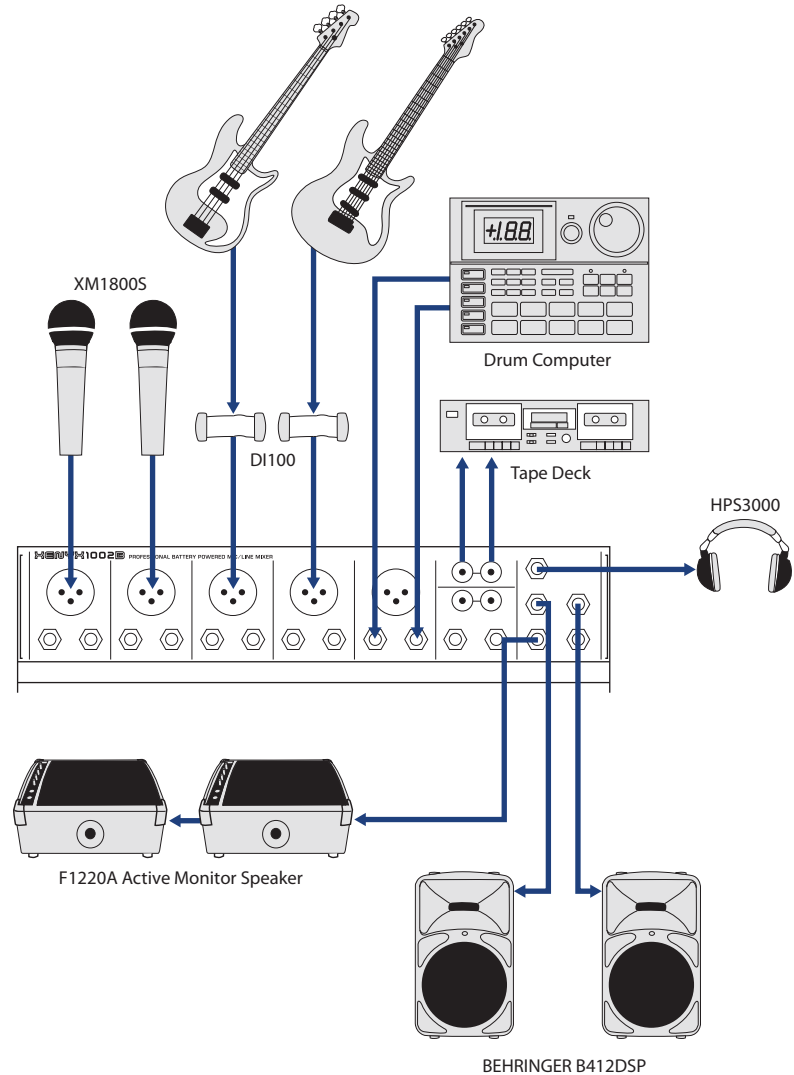


XENYX 1002B

Battery Powered 10 x 2 Mixer



Live Performance

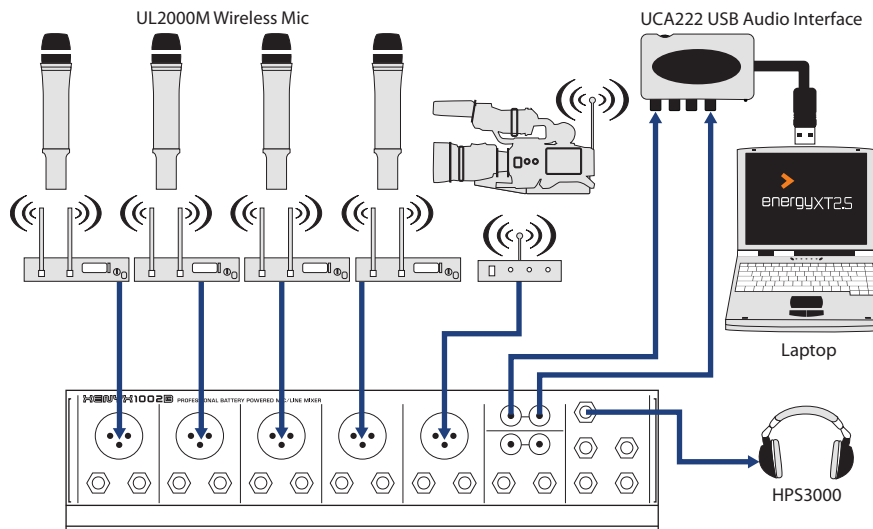


Field Operation

Its compact size and flexible input scheme also make it the natural choice of sports announcers for calling play-by-play game action. Likewise, radio and TV reporters especially like the XENYX 1002B for its ease-of-use, remarkable fidelity and rugged reliability. And the 9 V battery option allows newscasters and correspondents to use the 1002B in remote locations where power is hard to come by. (Two 9 V alkaline batteries are required for normal operation, three for phantom power).

From its state-of-the-art XENYX mic preamps to its highly musical British-style EQ and user-friendly layout, the XENYX 1002B is the solid leader for value and sonic integrity in its class.

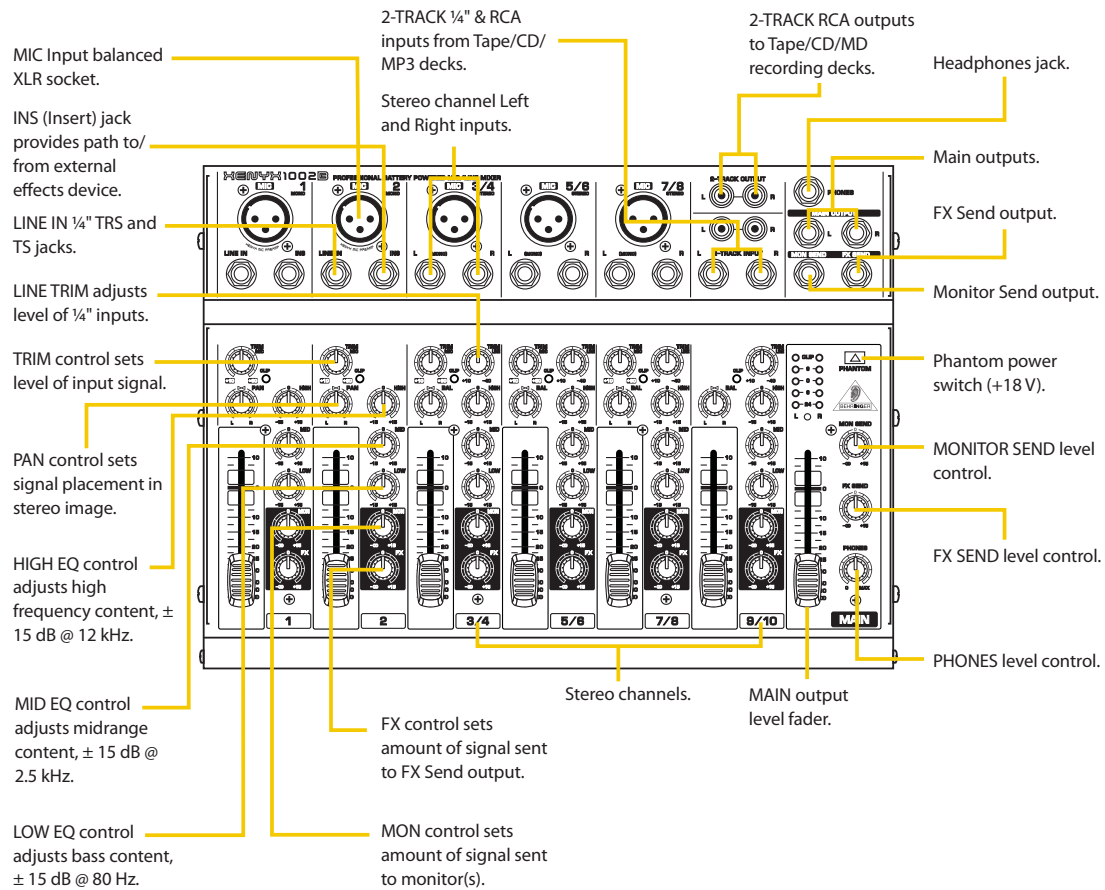
Field Recording Setup



energyXT2.5 DAW software available separately

XENYX 1002B

Battery Powered 10 x 2 Mixer



SPECIFICATIONS

INPUT CHANNELS 1 & 2

Mic input	electronically balanced, discrete input configuration
Frequency response	10 Hz to 200 kHz
Gain range	+14 dB to +60 dB
SNR	120 dB E.I.N.
Line input	electronically balanced
Frequency response	10 Hz to 130 kHz
Gain range	-6 dB to +38 dB
SNR	95 dB E.I.N.

STEREO CHANNELS 3/4 - 7/8 & 9/10

Frequency response	10 Hz to 70 kHz
Gain range	Line: -∞ to +15 dB / Mic: +13 to +60 dB
SNR	Line: 96 dB / Mic: 104 dB E.I.N.

EQUALIZATION

LOW	50 Hz, +/- 15 dB
MID	700 Hz, +/- 15 dB
HI	10 kHz, +/- 15 dB

MAIN MIX

Main Outputs	+28 dBu balanced / +22 dBu unbalanced
Mon Send	+22 dBu unbalanced
FX Send	+22 dBu unbalanced
Tape Out	+22 dBu unbalanced
Phones Output	+15 dBu / 150 Ω

POWER SUPPLY

Mains voltage	USA/Canada 120 V~, 60 Hz, Power Supply MXUL4
	U.K./Australia 240 V~, 50 Hz, Power Supply MXUK4
	Europe 230 V~, 50 Hz, Power Supply MXEU4
	Japan 100 V~, 50 - 60 Hz, Power Supply MXJP4
Battery life	approx. 4 h (with Duracell Alkaline Type MN1604 / 580 mAh)

PHYSICAL

Dimensions (H x W x D)	approx. 2.875" x 11.75" x 8.5" approx. 73 mm x 298 mm x 216 mm
Weight	approx. 5.5 lbs. approx. 2.5 kg

BEHRINGER is constantly striving to maintain the highest professional standards. As a result of these efforts, modifications may be made from time to time to existing products without prior notice. Specifications and appearance may differ from those listed or illustrated.

For service, support or more information contact the BEHRINGER location nearest you:

BEHRINGER Australia tel.: +61 3 9877 7170, fax: +61 3 9877 7870 **BEHRINGER Germany** tel.: +49 2154 9206 4149, fax: +49 2154 9206 4199 **BEHRINGER Japan** tel.: +81 3 5281 1180, fax: +81 3 5281 1181 **BEHRINGER Singapore** tel.: +65 5845 1800, fax: +65 6214 0275 **BEHRINGER USA / CANADA** tel.: +1 425 672 0816, fax: +1 425 673 7647

behringer.com



©2009 BEHRINGER International GmbH. Technical specifications and appearance subject to change without notice. The information contained herein is correct at the time of printing. BEHRINGER accepts no liability for any loss which may be suffered by any person who relies either wholly or in part upon any description, photograph or statement contained herein. All trademarks (except BEHRINGER, the BEHRINGER logo, JUST LISTEN and XENYX) mentioned belong to their respective owners and are not affiliated with BEHRINGER. EnergyXT2.5 and the energyXT logo are trademarks of XT Software AS. Windows is a registered trademark of Microsoft Corporation in the United States and other countries. Mac OS and Logic are trademarks of Apple Computer, Inc., registered in the U.S. and other countries. ASIO is a trademark and software of Steinberg Media Technologies GmbH. VST is a trademark of Steinberg Media Technologies GmbH. Reason, ReWire and REX2 are trademarks of Propellerhead Software AB. Ableton Live is a trademark of Ableton AG. ProTools is a trademark of Avid Technology, Inc. or its affiliates in the United States and/or other countries. 985-10000-00392