

# Laney

POWER TO THE MUSIC

100W ALL TUBE  
GUITAR HEAD AMPLIFIER



[www.laney.co.uk](http://www.laney.co.uk)



## IMPORTANT SAFETY INSTRUCTIONS

**WARNING:** When using electric products, basic cautions should always be followed, including the following.

1. Read all safety and operating instructions before using this product
2. The product should be powered by a three pin grounded (or earthed) plug connected to a power socket with a grounded earth outlet.
3. All safety and operating instructions should be retained for future reference
4. Obey all cautions in the Operating instructions and on the back of the unit
5. All operating instructions should be followed
6. This product should not be used near water, i.e. a bathtub, sink, swimming pool, wet basement, etc.
7. This product should be located so that its position does not interfere with its proper ventilation. It should not be placed flat against a wall or placed in a built up enclosure that will impede the flow of cooling air.
8. This product should not be placed near a source of heat such as stove, radiator, or another heat producing amplifier.
9. Connect only to a power supply of the type marker on the unit adjacent to the power supply cord.
10. Never break off the ground pin on a power supply cord.
11. Power supply cords should always be handled carefully. Never walk or place equipment on power supply cords. Periodically check cords for cuts or signs of stress, especially at the plug and the point where the chord exits the unit.
12. The power supply cord should be unplugged when the unit is to be unused for long periods of time.
13. If this product is to be mounted in an equipment rack, rear support should be provided.
14. The user should allow easy access to any mains plug, mains coupler and mains switch used in conjunction with this unit thus making it readily operable.
15. Metal parts can be cleaned with a damp cloth. The vinyl covering used on some units can be cleaned with a damp cloth or ammonia based household cleaner if necessary. Disconnect the unit from the power supply before cleaning.
16. Care should be taken so that objects do not fall and liquids are not spilled into the unit through any ventilation holes or openings. On no account place drinks on the unit.
17. A qualified service technician should check the unit if:
  - The power cord has been damaged
  - Anything has fallen or spilled into the unit
  - The unit does not appear to operate correctly
  - The unit has been dropped or the enclosure damaged.
18. The user should not attempt to service the equipment. All service work is done by a qualified service technician.
19. Exposure to extremely high noise levels may cause a permanent hearing loss. Individuals vary considerably in susceptibility to noise induced hearing loss, but nearly everyone will lose some hearing if exposed to sufficiently intense noise for a sufficient time. The U.S. Government's Occupational Safety and Health Administration (OSHA) has specified the following permissible noise level exposure.

Duration Per Day In Hours	Sound Level dBA, slow response
8	90
6	92
4	95
3	97
2	100
1 ½	102
1	105
½	110
¼ or less	115

According to OSHA, any exposure in excess of the above permissible limits could result in some hearing loss. Ear plugs or protectors in the ear canals or over the ears must be worn when operating this amplification system in order to prevent a permanent hearing loss if exposure exceeds the limits set forth above. To ensure against potentially dangerous exposure to high sound pressure levels it is recommended that all persons exposed to equipment capable of producing high sound pressure levels such as this amplification system be protected by hearing protectors while this unit is in operation.

**SAVE THESE INSTRUCTIONS**



Intended to alert the user to the presence of uninsulated 'Dangerous Voltage' within the products enclosure that may be sufficient to constitute a risk of electrical shock to persons.



Intended to alert the user of the presence of important operating and maintenance (Servicing) instructions in the literature accompanying the product.

**CAUTION:** Risk of electrical shock - DO NOT OPEN.

**CAUTION:** To reduce the risk of electrical shock, do NOT remove the cover. No user serviceable parts inside. Refer servicing to qualified personnel.

**WARNING:** To prevent electrical shock or fire hazard, do not expose this appliance to rain or moisture. Before using this appliance please read the operating instructions for further warnings.



Este simbolo tiene el proposito de alertar al usuario de la presencia de '(voltaje) peligroso' que no tiene aislamiento dentro de la caja del producto que puede tener una magnitud suficiente como para constituir riesgo de corrientazo.



Este simbolo tiene el proposito de la alertar al usuario de la presencis de instrucccones importantes sobre la operacion y mantenimiento en la literatura que viene conel producto.

**PRECAUCION:** Riesgo de corrientazo - no abra

**PRECAUCION:** Para disminuir el risego de corrientazo, no abra la cubierta. No hay piezas adentro que el pueda reparar. Deje todo mantenimiento a los tecnicos calificado.

**ADVERTENCIA:** Para evitar corrientazos o peligro de incendio, no deja expuesto a la lluvia o humedad este aparato Antes de usar este aparato, lea mas advertcias en la guia de operacion.



Ce symbole est utilise pur indiquer a l'utilisateur de ce produit de tension non-isolee dangereuse pouvant etre d'intensite suffisante pour constituer un risque de choc electrique



Ce symbole est utilise pour indiquer a l'utilisateur qu'il ou qu'elle trouvera d'importantes instruciones sur l'utilisation et l'entrierien (service) de l'appareil dans la litterature accompagnant le produit.

**ATTENTION:** Risques de choc electrique - NE PAS OUVIRIR

**ATTENTION:** Afin de reduire le risque de choc electrique, ne pas enlever le couvercle. Il ne se trouve a l'interieur aucune piece pouvant etre reparee par l'utilisateur. Confier l'entretien a un personnel qualifie.

**ADVERTISSEMENT:** Afin de prevenir les risques de decharge electrique ou de feu, n'exposez pas cet appareil a la pluie ou a l'humidite. Avant d'utiliser cet appareil, lisez les advertissements supplementaires situes dans le guide.



Dieses Symbol soll den Anwender vor unisolierten gefahrlichen Spannungen innerhalb des Gehauses warnen, die von Ausreichender Starke sind, um einen elektrischen Schlag verursachen zu konnen.



Dieses Symbol soll den Benutzer auf wichtige Instruciones in der Bedienungsanleitung aufmerksam machen, die Handhabung und Wartung des Produkts betreffen.

**VORSICHT:** Risiko - Elektrischer Schlag! Nicht offen!

**VORSICHT:** Um das Risiko eines elektrischen Schlages zu vermeiden, nicht die Abdeckung entfernen. Es befinden sich keine Teile darin, die vom Anwender repariert werden Konnten. Reparaturen nur von qualifiziertem Fachpersonal durchfuhren lassen.

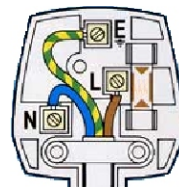
**ACHTUNG:** Um einen elektrischen Schalg oder Feuergefahr zu vermeiden, sollte dieses Gerat nicht dem Regen oder Feuchtigkeit ausgesetzt werden. Vor Inbetriebnahme unbedingt die Bedienungsanleitung lesen.

## BEFORE SWITCHING ON

After unpacking your amplifier check that it is factory fitted with a three pin 'grounded' (or earthed) plug. Before plugging into the power supply ensure you are connecting to a grounded earth outlet.

If you should wish to change the factory fitted plug yourself, ensure that the wiring convention applicable to the country where the amplifier is to be used is strictly conformed to. As an example in the United Kingdom the cable colour code for connections are as follows.

EARTH OR GROUND - GREEN/YELLOW  
NEUTRAL - BLUE  
LIVE - BROWN



## NOTE

This manual has been written for easy access of information. The front and rear panels are graphically illustrated, with each control and feature numbered. For a description of the function of each control feature, simply check the number with the explanations adjacent to each panel.

Your Laney amplifier has undergone a thorough two stage, pre-delivery inspection, involving actual play testing.

When you first receive your Laney guitar amplifier, follow these simple procedures:

- (i) Ensure that the amplifier is the correct voltage for the country it is to be used in.
- ii) Connect your instrument with a high quality shielded instrument cable. You have probably spent considerable money on your amplifier and guitar - don't use poor quality cable it won't do your gear justice.

Please retain your original carton and packaging so in the unlikely event that some time in the future your amplifier should require servicing you will be able to return it to your dealer securely packed.

Care of your Laney amplifier will prolong it's life.....and yours!

Dear Player,

Thank you very much for purchasing your new Laney product and becoming part of the worldwide Laney family. Each and every Laney unit is designed and built with the utmost attention to care and detail, so I trust yours will give you many years of enjoyment.

Laney products have a heritage which stretches back to 1967 when I first began building valve amplifiers in my parent's garage. Since then we have moved on from strength to strength developing an extensive range of guitar, bass, public address and keyboard amplification products along with a list of Laney endorsees that includes some of the world's most famous and respected musicians. At the same time we believe we have not lost sight of the reason Laney was founded in the first place - a dedication to building great sounding amplification for working musicians.

Warm Regards,



Lyndon Laney CEO



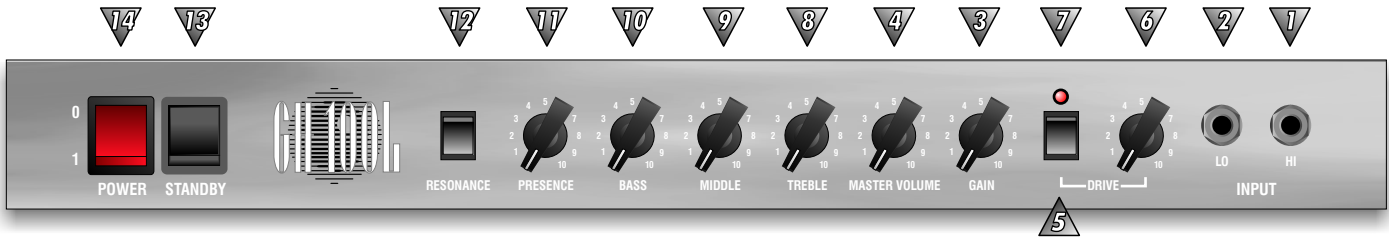
## INTRODUCTION

**The Dark Art:** In an age where guitar players have developed an unhealthy fascination with pre-amp distortion, the fabled sound of a tube power amp being pushed hard has almost passed into history. Until now that is!

The GH100L is a single channel master volume style head with footswitchable gain, it is capable of a huge variety of sounds, from sparkling clean through powerful crunch to full on monster tones and everything in between. The hand wired 100W output stage oozes classic, warm tube tones: The harder you drive it, the better it sounds. The GH100L is designed to be used with the GS4121A and GS4121S cabinets - to enhance the amplifiers huge tonal range and produce stunning tone at any volume.

Your GH100L should give you years of trouble-free amplification, however please take time to read this manual and familiarise yourself with the controls as it will allow you to get the best from your amplifier. We hope you enjoy using your GH100L as much as we enjoyed designing and making it.

Best wishes from all at Laney



## FRONT PANEL CONTROLS

- 1 **HI INPUT:** 'Hi' stands for high gain. This input is designed for the connection of low output level guitars making it well suited for guitars with single coiled or low gain humbucker type pickups. Use of high gain pickups in this input may drive the preamp too hard causing a "mushy" sound. Only use good quality guitar cable.
- 2 **LO INPUT:** 'Lo' stands for low gain. This input is attenuated down approximately 50% from the Hi input and is designed for high output level guitars. It is useful in obtaining output that is "tight" not "mushy" from high gain humbucker type pickups. Also use this input for the cleanest full range sound with extended low end response. Only use good quality guitar cable.
- 3 **GAIN:** Sets the level of tube preamplifier gain or how dirty your sound is. This control should be used in conjunction with the Master Volume (4) Setting low levels of gain with high levels of volume will give a clean preamplifier sound with tube output stage overdrive. Setting a medium gain level and medium Master Volume will give a nice crisp bluesy lead tone, again with the ability to drive the output stage at higher Volume settings. Setting a high level on the Drive control and a low setting on the Drive Volume will give you a punchy hard rock lead tone, with the ability to again drive the output tubes at higher Volume settings. Having set the Drive and Drive Volume controls to your desired sound try backing off your guitar volume and tone controls for lots of other cool sounds. Good tube amplifiers have the unique ability to produce a wide range of sounds by using only your guitar controls, playing weight and style.
- 4 **MASTER VOLUME:** Sets the overall 'loudness' of the amplifier. It is useful to experiment with the gain and volume controls. If you want a very open, warm and semi overdriven sound try reducing the amount of gain and increasing the volume. This reduces pre-amp gain but pushes the power amp section and makes it work harder giving you a very desirable level of power amp distortion which is a very pleasing "retro" style sound.

5

**DRIVE SWITCH:** Switch in to enable the extra 'Drive' tube stage. This gives you even more gain to play around with. (This switch must be in the engaged position in order for the drive to be switched remotely via a foot switch.)

6

**DRIVE:** This sets the amount of 'Drive' sound provided by the extra tube stage. This varies from subtle crunch to hi-gain lead break sounds.

7

**DRIVE LED:** This led will illuminate when the extra drive stage is switched in.

8-10

**BASS, MIDDLE, TREBLE:** These are a traditional set of passive tone controls. Passive controls have the advantage of always sounding musical at any of their settings mainly due to their unique interactive nature. This gives players a more natural set of tools to create their ideal sound. (Try them all set at midway (5) as a good starting point)

11

**PRESENCE:** An output stage tone control. This adjusts the high frequency response - it adjusts your sound from being dull to giving it edge / sounding sparkly.

12

**RESONANCE:** Adjusts level of Power Tube damping. This allows the player to adjust how tight the bass response is - this will be dependent on what speaker cabinet used. The Resonance allows you to adjust the bass damping to your particular taste.

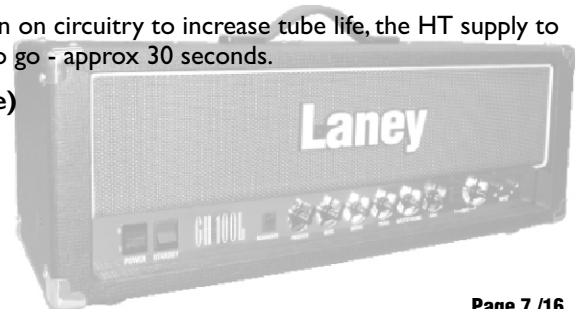
13

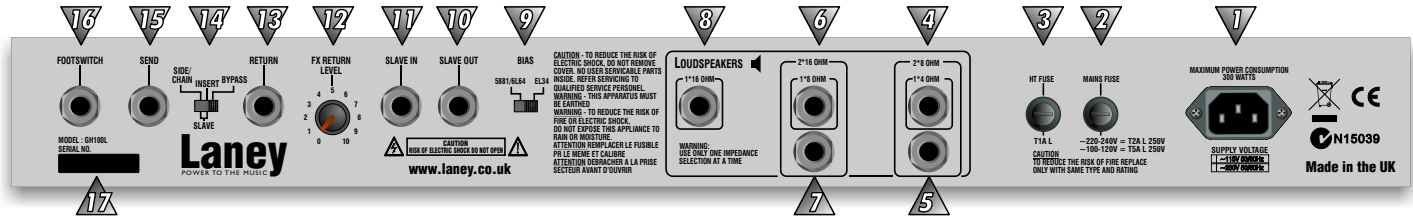
**STANDBY:** Disconnects the HT supply from the Tubes whilst the heaters still keep them warm. This allows you to switch out of standby and play without waiting for your amplifier to warm up. This is useful after you have sound checked and you are waiting to go on stage - leave the amp in standby so its ready to go when performance time comes. Always switch off for short breaks when you don't want to wait for the tubes to warm up again.

14

**POWER:** Main power switch for the unit. The GHI00L features delay turn on circuitry to increase tube life, the HT supply to the tubes gets switched on only after they have warmed up and are ready to go - approx 30 seconds.

**(Always switch off and disconnect the power cord when not in use)**





**1 POWER INLET SOCKET.** Connect to your power source. Make sure the specified voltage is correct for your country!

**2 POWER FUSE:** This is the main safety fuse for the unit. The fuse protects the AC power to the amplifier. **USE ONLY THE CORRECT SIZE AND RATING OF FUSE AS SPECIFIED ON THE PANEL.** If a fuse blows or fails and a replacement of the same size and rating is installed and it in turn blows, the amplifier has suffered a malfunction internally and needs immediate service from a qualified technician. **DO NOT TRY USING A FUSE OF HIGHER RATING.** Using a fuse that is too large in current rating may cause serious, irreparable damage to the amplifier and presents a serious fire hazard. The mains fuse ratings are detailed in the specs section at the rear of this manual

**3 HT FUSE:** This fuse protects the DC power to the tubes within the amplifier. **USE ONLY THE CORRECT SIZE AND RATING FUSE AS SPECIFIED ON THE PANEL.** If a fuse blows or fails and a replacement of the same size and rating is installed and it in turn blows, the amplifier has suffered a malfunction, at this point check the output tubes and replace faulty ones if required. Should tubes not be the problem the amplifier should be checked out by a qualified technician. Do not try using a fuse of greater value. Using a fuse that is too large in current rating may cause serious, irreparable damage to the amplifier. Fuses are designed to protect, do not take chances.

**4-8 LOUDSPEAKERS :** Loudspeaker outlets are provided on a series of five 1/4" (6.3mm) jack sockets. The impedance of the loudspeaker/s should be checked and connected to the appropriate socket/s. Using the incorrect sockets will reduce the life of your output tubes and won't sound as good and in extreme cases could damage your amplifier.

**IMPORTANT:** Operation of your GH100L amplifier without a loudspeaker connected could result in expensive failure of your output transformer. **DO NOT OPERATE WITHOUT A LOUDSPEAKER CONNECTED.** There are dedicated optimised outputs for the following loudspeaker combinations: 1\*16 ohm, 1\*8 ohm, 2\*16 ohm, 1\*4 ohm, 2\*8 ohm.

**9 BIAS:** This allows you to bias the amplifier to suit your chosen output tubes. The switch has two positions 5881/6L6 and EL34. We recommend the use of matched sets of output tubes for best performance. Ensure the switch is in the correct position otherwise you risk damaging your amplifier.

**10 SLAVE OUT:** The slave out gives the user an output for driving other amplifiers. This is useful in multi-amp setups where a single preamp can drive several GH power stages. This can be done by simply daisy chaining SLAVE OUT'S to SLAVE IN'S. The Slave Out is an (unbalanced) line level output.



11

**SLAVE IN:** The Slave in socket provides the user with an input to the power amplifier stage. The Slave in is only operative when the FX switch is in Side Chain or Insert mode. When a Jack is connected to the Slave In socket the preamp signal does not pass to the power amp.

12

**FX RETURN LEVEL:** This control serves two purposes.

- 1) In Side chain mode it controls the level of the FX Return signal mixed with the dry signal.
- 2) In Insert mode it behaves as an overall level control. (See 14)

13

**EFFECTS LOOP RETURN:** Connect the output from your external effects to this socket. The effects loop allows you to connect external effects such as tremolos, chorus and delays to your amplifier. A portion of the signal leaves the amplifier via the 'Send' socket and comes back from the effects unit via the 'Return' socket. A notable feature on the GH products is you won't lose sustain when the FX loops are in use. This is because the power stages are still driven by a tube FX loop buffer.

14

**EFFECTS LOOP SWITCH:** This allows the effects loop to operate in three distinct modes:

- 1) **Side Chain:** The return signal is mixed with the dry signal, the level of FX return is controlled by the FX return level control. This allows you to set the right mix between the dry signal and the effects signal.  
(When the Effects loop switch is in 'Side Chain' mode the Slave in socket is operative)
- 2) **Insert:** The return signal is buffered and sent directly to the output tubes, no mixing with the dry signal happens. The wet/dry mix is adjusted within the external FX processor. The FX return level control then acts as overall level control allowing you to make up for any insertion loss that may occur in the FX processor.  
Warning: In insert mode with the FX return level control at minimum the amplifier will have no output, good normal level for this control is '5' which is approx unity gain.  
(When the Effects loop switch is in 'Insert' mode the Slave In socket is operative)
- 3) **Bypass:** The FX loop circuitry is switched out of circuit altogether.

15

**EFFECTS LOOP SEND:** Connect the input of your external effect to this socket. A 'side chain' effects loop allows you to connect external effects such as tremolo's, chorus and delays to your amplifier. Signal leaves the amplifier via the 'Send' socket and comes back from the effects via the 'Return' socket. Some Effects are better suited to being between the guitar and amplifier input - these are foot pedal types / distortion / wah wah pedals etc. Rack mount effects will work better in the FX loop on the amplifier rear. Stomp boxes are normally designed for small signals such as a guitar output whereas rack mount FX are designed for the higher signal level obtained from an FX send.

16

**FOOTSWITCH:** Connect a Laney FS1 footswitch here to allow remote switching of the front panel drive switch. The Drive switch needs to be in the ON position for the footswitch to operate. The footswitch shorts the tip + ring together on a mono jack.

17

**SERIAL NO:** Displays the model and serial number of the unit.

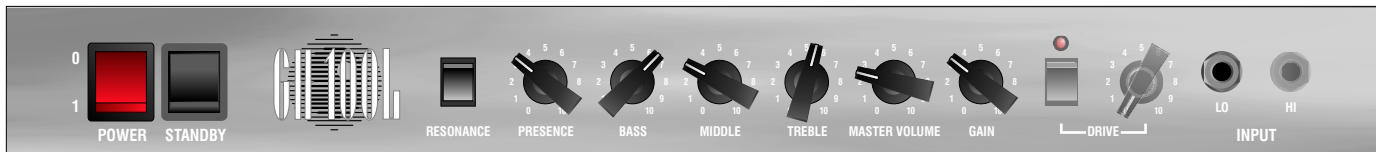
# Laney

## OPERATING INSTRUCTIONS

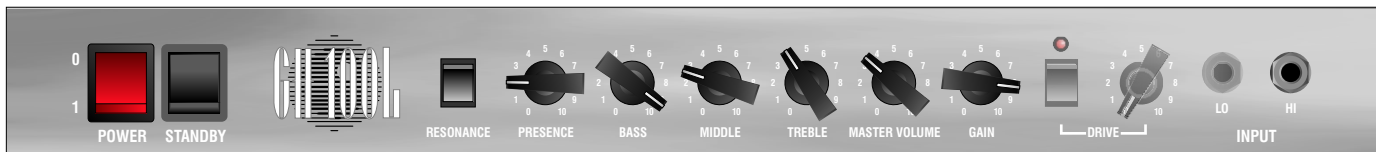
### QUICK START SETTINGS - suggestions only, experiment!



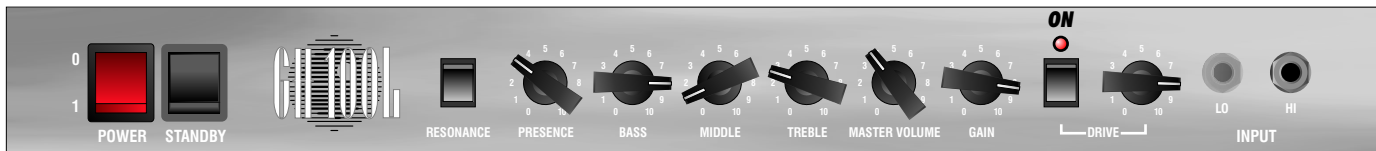
#### CLEAN



#### RHYTHM



#### ROCK



#### LEAD

### USER SETTINGS - Store your own cool sounds



## TUBE AMPLIFIER SURVIVAL TIPS

Tube amplifiers generally sound much warmer/sweeter than solid state transistor amplifiers but they also need a little more respect due to the fragile glass tubes themselves. The GH100L uses top quality tubes, four ECC83 preamp tubes, and a matched set of four EL34B-STR output tubes which should give you years of trouble free service, however like all tube amps; it is important to treat it with a certain amount of respect.

- Take care when moving the amplifier. Tubes are fragile glass components, they can easily be damaged if thrown in and out of transit vans,
- Make sure the impedance of your cabinets matches the setting on your amplifier. Improper impedance matching will result in reduced output power output and compromised sound at best and amplifier failure/premature tube failure at worst.
- Allow the amplifier to warm up to room temperature before switching it on, The sudden thermal shock generated can crack the cold glass tube housing plus any moisture is bad news around high voltage electronics.
- Allow the amplifier to cool down after playing before moving. Hot tubes are more susceptible to damage than cool ones.  
Use good quality loudspeaker leads, cheap leads are often not up to the job of handling the large requirements for loudspeakers and can often short out.

A tubes life expectancy is based upon a number of factors which include operating temperature, how hard and how often it is played, vibration due to travel etc. Tubes should be changed in your amplifier If you notice any change in your amplifiers performance etc. They need not be changed at any regular interval.

Typical problems with preamp tubes can be a crackley noise, hiss, hum and microphony. The preamp tubes can safely be changed with no action required if they fail or reduce in performance.

Typical output tube problems can be blown HT fuse, sound lacking in punch, sound lacks extreme highs or lows and low level hum. The Output tubes can be replaced singularly **if you replace them with the exact same type AND grade as factory fitted** otherwise they should be replaced as a set. If the same type and grade are used then no rebiasing of the amplifier is required. See the diagram at the bottom left hand corner to see how to check the tube grade fitted. If you wish to use a different grade of tube then they should only ever be changed by a qualified service agent due to the grid bias voltage needing adjustment. Do not attempt to rebias your tube amplifier yourself, there are potentially dangerous voltages inside.

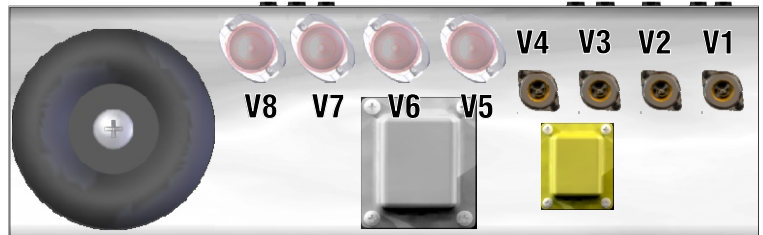
Exact replacement preamp tubes and matched sets of output tubes are available from Laney via your dealer.

V1	ECC83	HI-GRADE
V2>V4	ECC83	STANDARD
V5>V8	EL34B-STR	MATCHED SET

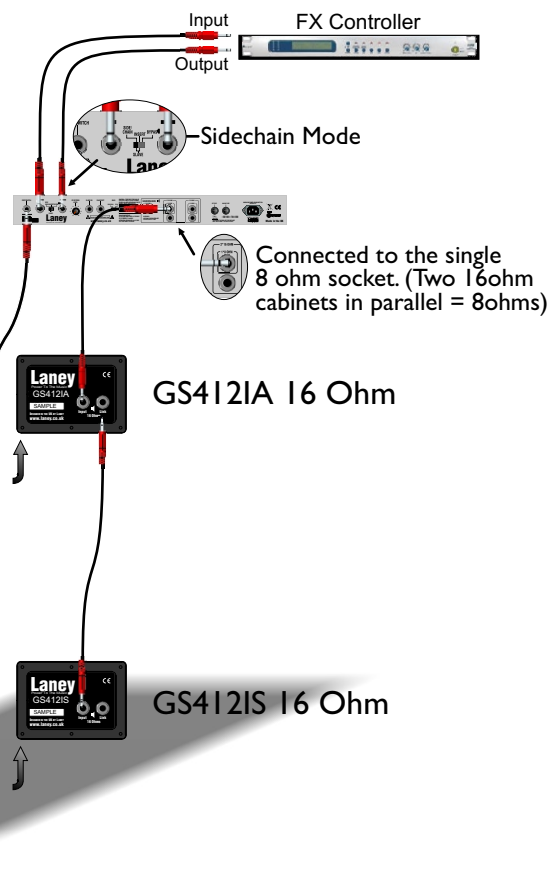
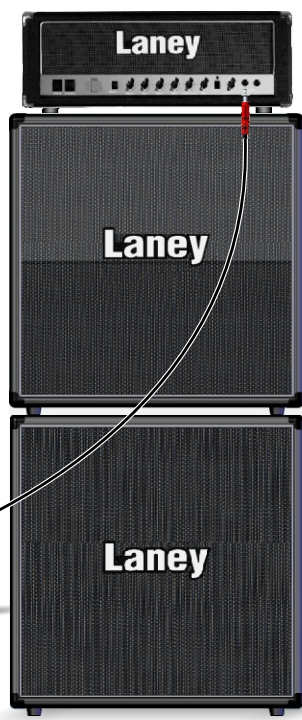
To change a tube, switch off the unit and unplug from the mains supply. Wait for the tubes to cool down.

Remove the protective grille held in place with four screws. You should now be able to access the chassis where the tubes are mounted. Preamp tubes are protected with a screen can, to remove; gently twist the screen can anti clockwise and then pull up. The tube can then be

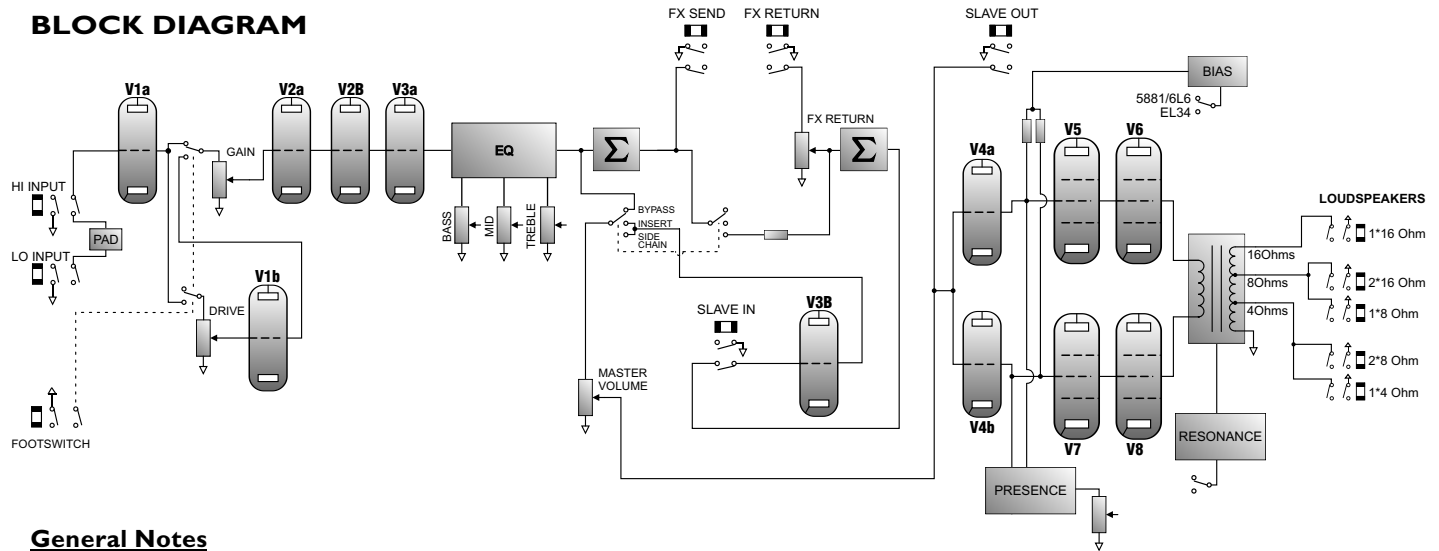
gently pulled out. Take care when pushing the new tube in to make sure the pins are all aligned properly. Output tubes have a spring retainer which must be pushed downwards before the tube will come out.



### GH100L SAMPLE SYSTEM



## BLOCK DIAGRAM



### General Notes

**Amplifier connection:** In order to avoid damage, it is advisable to establish and follow a pattern for turning on and off your equipment. With all system parts connected, turn on source equipment, tape decks, cd players, mixers, effects processors etc. BEFORE turning on your guitar amplifier. Many products have large transient surges at turn on and off which can cause damage to your speakers. By turning on your guitar amplifier LAST and making sure its Volume controls are set to minimum any transients from other equipment will not reach your loudspeakers. Wait until all system parts have stabilised; usually a couple of seconds. Similarly when turning off your system always turn down the Volume controls on your guitar amplifier and then turn off its power before turning off other equipment.

**Cables:** never use shielded or microphone cable for any speaker connections as this will not be substantial enough to handle the amplifier load and could cause damage to your amplifier system.

**Caution:** These professional loudspeaker systems are capable of generating very high sound pressure levels. Use care with placement and operation to avoid exposure to excessive levels that can cause permanent hearing damage. (Refer to guidelines on page 2)

**Servicing:** The user should not attempt to service these products. Refer all servicing to qualified service personnel.



## SPECIFICATIONS

Supply Voltage	~100V, ~120V, ~220V, ~230V, ~240V 50/60Hz Factory Option	
Mains Fuse	(~220V>240V = T2A L 250V) (~100>120V = T5A L 250V)	
HT Fuse	T1A L	
Power Consumption	300W	
Output Power Rating	100W	
Loudspeaker Outputs	1*16 Ohm	
	1*8 Ohm	2*16 Ohm
	1*4 Ohm	2*8 Ohm
Features	Pure Class A/B Valve tone	
	4xEL34B-STR Power Tubes	(Matched Set TAD)
	4x12AX7 Preamp tubes	(Premium TAD ECC83)
	Hi & Lo Gain Inputs	
	Rugged construction	
	Selectable FX Loop with Level Control	(Switchable Sidechain/Insert/Bypass) (Nominal 500mV Level)
		Yes, Channel (FSI Optional)
EQ	Footswitchable	
	Passive Bass, Middle and Treble	
	Resonance Switch	
	Presence	
Input Impedance	Switchable Extra Drive Stage	
	1MΩ/47pF	
	Size (H*W*D)	
	260*675*250	
Unit Weight	23Kg	

This product conforms to the requirements of the following European Regulations, Directives & Rules:-  
 CE Mark (93/68/EEC), Low Voltage (72/23/EEC), EMC (93/68/EEC),  
 RoHS (EU2002/95/EC), WEEE (EU2002/96/EC)



In order to reduce environmental damage, at the end of its useful life, this product must not be disposed of along with normal household waste to landfill sites. It must be taken to an approved recycling centre according to the recommendations of the WEEE (Waste Electrical and Electronic Equipment) directive applicable in your country.



# Laney

POWER TO THE MUSIC



LANEY AMPLIFICATION  
[www.laney.co.uk](http://www.laney.co.uk)

In the interest of continued product development, Laney Reserves the right to amend product specification without prior notification.



The Dark Art