

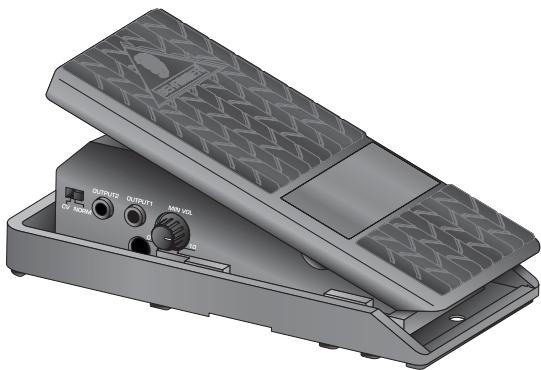
FCV100

FOOT CONTROLLER

User's Manual

ENGLISH

Version 1.2 July 2003



www.behringer.com



FOOT CONTROLLER FCV100

Welcome to the BEHRINGER family!

Thank you for the confidence you have placed in us by purchasing the FOOT CONTROLLER FCV100.

The FCV100 is a valuable and versatile tool in your equipment. Its multiple functions give you the freedom to control even more parameters by simply using your foot on the pedal. You are able to control the volume or modulation of one stereo or two individual musical instruments. With your FCV100 you have a reliable tool that excels in both live and studio performances.

1. SAFETY PRECAUTIONS

Detailed safety precautions:

Please read all safety precautions and operating instructions before you attempt to operate the unit. Follow all safety precautions and keep operation instructions for future reference.

Damage:

Take care not to drop your FCV100 as this can lead to severe damage. BEHRINGER assumes no liability for any damage caused by the user.

Maintenance and care:

If the FCV100 is not used for more than three months, please remove the battery to avoid damage caused by battery leakage. The FCV100 will automatically turn on as soon as plugs are inserted into the inputs. To save battery power, remember to unplug the jacks when the unit is not being used.

For mains connection, use the correctly rated 12 V DC power adapter. A wrong power adapter may damage the unit.

Clean your FCV100 with a dry cloth. Avoid using volatile solvents as they may damage the surface.

2. CONTROL ELEMENTS

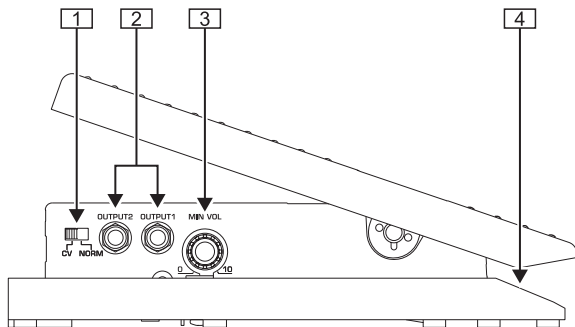


Fig. 2.1: FCV100 controls (part 1)

- 1 By switching into “NORM” mode, the FCV100 is capable of controlling the volume of two individual musical instruments. Signals from INPUT 1/2 are led to OUTPUT 1/2. In “CV” mode the FCV100 can control modulation and volume levels of other musical instruments by connecting OUTPUT 2 to the volume or modulation input of the instrument. In “CV” mode, when OUTPUT 2 is in use, INPUT/OUTPUT 1 can still be used for controlling the volume of another instrument, similar to “NORM” mode. All connections are made with standard 1/4” TRS plugs.
- 2 In “NORM” mode, these jacks are used to feed separate instrument inputs with the FCV100’s input signal. If you only use OUTPUT 2 in “CV” mode, the FCV100 functions as a CV controller.
- 3 Turning the MIN VOL control fully clockwise will increase the volume at the minimum setting. This allows you to set the volume range.
- 4 You can set the volume level by either turning the volume level control or by pressing the pedal until you reach the desired volume level.

FOOT CONTROLLER FCV100

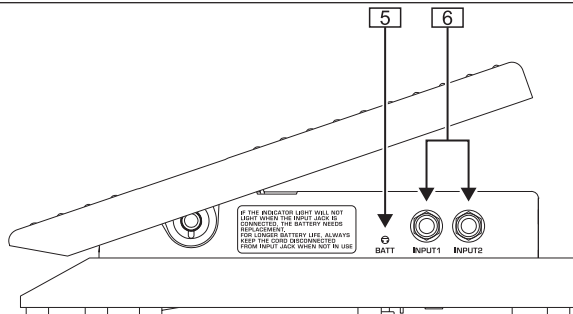


Fig. 2.2: FCV100 controls (part 2)

- 5 When the battery LED indicator dims or does not light up, you need to replace the battery. For instructions on how to replace the battery, please refer to chapter 3 “BATTERY INSTALLATION & REPLACEMENT”.
- 6 Connect your instruments via the INPUTS 1/2 using the “NORM” mode. In “CV” mode, INPUT 2 of your FVC100 can not be used since the control signal comes exclusively from OUTPUT 2. As stated before, you may use INPUT 1/OUTPUT 1 in “CV” mode to control the volume level of another instrument.

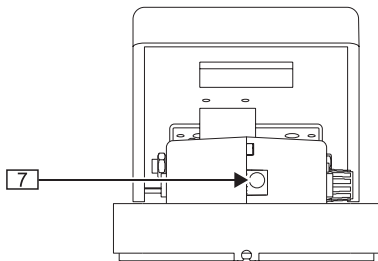


Fig. 2.3: FCV100 controls (part 3)

FOOT CONTROLLER FCV100

- 7 The FCV100 can be operated via an 12 V DC power adapter or with a 9 V battery (Type 6LR91). If you use a battery and the power adapter at the same time, the FCV100 draws no power from the battery.

3. BATTERY INSTALLATION & REPLACEMENT

To access the battery compartment, please follow the instructions:

1. Loosen the latch screw on the underside of the FCV100 and remove the base.
2. Remove the old battery and replace it with a new one.
3. Reattach the base.

☞ Remember to unplug the jacks when the unit is not being used so as to conserve battery life.

4. CONNECTIONS

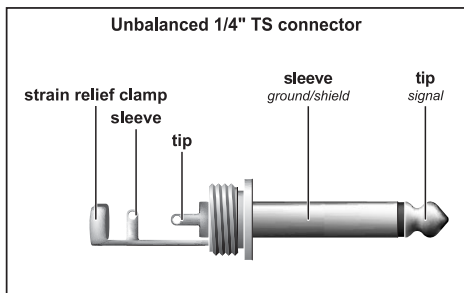


Fig. 4.1: 1/4" TS connector

FOOT CONTROLLER FCV100

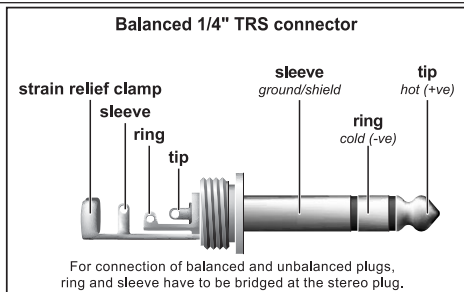


Fig. 4.2: 1/4" TRS connector

5. MULTILINGUAL DOCUMENTATION

The following versions of this manual can be downloaded free of charge at www.behringer.com: German, French, Spanish, Italian, Dutch, Finnish, Swedish, Danish, Portuguese, Greek and Japanese.

6. SPECIFICATIONS

Input/output	1/4" TRS connectors
Maximum input level	2 V (RMS)
Input impedance	300 k Ω
Output impedance	560 Ω
Attenuation range	0 - 70 dB
Total harmonic distortion	0.04% (1 kHz @ 1 V (RMS) output)
Signal-to-noise ratio	94 dB
Power supply	12 V / 50 mA DC power adapter
Battery power	9 V battery type 6LR91
Power consumption	5 mA
Dimensions	6" (150 mm) x 5" (130 mm) x 2 3/8" (60 mm)
Weight	approx. 650 g (1.43 lbs)

BEHRINGER is constantly striving to maintain the highest professional standards. As a result of these efforts, modifications may be made to existing products from time to time without prior notice. Specifications and appearance may therefore differ from those listed or shown.

7. WARRANTY

§ 1 WARRANTY CARD/ONLINE REGISTRATION

To be protected by the extended warranty, the buyer must complete and return the enclosed warranty card within 14 days of the date of purchase to BEHRINGER Spezielle Studioteknik GmbH, in accordance with the conditions stipulated in § 3. Failure to return the card in due time (date as per postmark) will void any extended warranty claims. Based on the conditions herein, the buyer may also choose to use the online registration option via the Internet (www.behringer.com or www.behringer.de).

§ 2 WARRANTY

1. BEHRINGER (BEHRINGER Spezielle Studioteknik GmbH including all BEHRINGER subsidiaries listed on the enclosed page, except BEHRINGER Japan) warrants the mechanical and electronic components of this product to be free of defects in material and workmanship for a period of one (1) year* from the original date of purchase, in accordance with the warranty regulations described below. If the product shows any defects within the specified warranty period that are not excluded from this warranty as described under § 3 and 4, BEHRINGER shall, at its discretion, either replace or repair the product using suitable new or reconditioned parts. In the case that other parts are used which constitute an improvement, BEHRINGER may, at its discretion, charge the customer for the additional cost of these parts.

2. If the warranty claim proves to be justified, the product will be returned to the user freight prepaid.

3. Warranty claims other than those indicated above are expressly excluded.

§ 3 RETURN AUTHORIZATION NUMBER

1. To obtain warranty service, the buyer (or his authorized dealer) must call BEHRINGER (see enclosed list) during normal business hours **BEFORE** returning the product. All inquiries must be accompanied by a description of the problem. BEHRINGER will then issue a return authorization number.

2. Subsequently, the product must be returned in its original shipping carton, together with the return authorization number to the address indicated by BEHRINGER.

3. Shipments without freight prepaid will not be accepted.

§ 4 WARRANTY REGULATIONS

1. Warranty services will be furnished only if the product is accompanied by a copy of the original retail dealer's invoice. Any product deemed eligible for repair or replacement by BEHRINGER under the terms of this warranty will be repaired or replaced within 30 days of receipt of the product at BEHRINGER.

2. If the product needs to be modified or adapted in order to comply with applicable technical or safety standards on a national or local level, in any country which is not the country for which the product was originally developed and manufactured, this modification/adaptation shall not be considered a defect in materials or workmanship. The warranty does not cover any such modification/adaptation, irrespective of whether it was carried out properly or not. Under the terms of this warranty, BEHRINGER shall not be held responsible for any cost resulting from such a modification/adaptation.

3. Free inspections and maintenance/repair work are expressly excluded from this warranty, in particular, if caused by improper handling of the product by the user. This also applies to defects caused by normal wear and tear, in particular, of faders, potentiometers, keys/buttons and similar parts.

4. Damages/defects caused by the following conditions are not covered by this warranty:

- ▲ improper handling, neglect or failure to operate the unit in compliance with the instructions given in BEHRINGER user or service manuals.
- ▲ connection or operation of the unit in any way that does not comply with the technical or safety regulations applicable in the country where the product is used.
- ▲ damages/defects caused by force majeure or any other condition that is beyond the control of BEHRINGER.

FOOT CONTROLLER FCV100

5. Any repair or opening of the unit carried out by unauthorized personnel (user included) will void the warranty.
6. If an inspection of the product by BEHRINGER shows that the defect in question is not covered by the warranty, the inspection costs are payable by the customer.
7. Products which do not meet the terms of this warranty will be repaired exclusively at the buyer's expense. BEHRINGER will inform the buyer of any such circumstance. If the buyer fails to submit a written repair order within 6 weeks after notification, BEHRINGER will return the unit C.O.D. with a separate invoice for freight and packing. Such costs will also be invoiced separately when the buyer has sent in a written repair order.

§ 5 WARRANTY TRANSFERABILITY

This warranty is extended exclusively to the original buyer (customer of retail dealer) and is not transferable to anyone who may subsequently purchase this product. No other person (retail dealer, etc.) shall be entitled to give any warranty promise on behalf of BEHRINGER.

§ 6 CLAIM FOR DAMAGES

Failure of BEHRINGER to provide proper warranty service shall not entitle the buyer to claim (consequential) damages. In no event shall the liability of BEHRINGER exceed the invoiced value of the product.

§ 7 OTHER WARRANTY RIGHTS AND NATIONAL LAW

1. This warranty does not exclude or limit the buyer's statutory rights provided by national law, in particular, any such rights against the seller that arise from a legally effective purchase contract.
2. The warranty regulations mentioned herein are applicable unless they constitute an infringement of national warranty law.

* Customers in the European Union please contact BEHRINGER Germany Support for further details.

The information contained in this manual is subject to change without notice. No part of this manual may be reproduced or transmitted in any form or by any means, electronic or mechanical, including photocopying and recording of any kind, for any purpose, without the express written permission of BEHRINGER Spezielle Studiotechnik GmbH.

BEHRINGER is a registered trademark. ALL RIGHTS RESERVED.

© 2003 BEHRINGER Spezielle Studiotechnik GmbH.

BEHRINGER Spezielle Studiotechnik GmbH, Hanns-Martin-Schleyer-Str. 36-38,
47877 Willich-Müncheheide II, Germany

Tel. +49 2154 9206 0, Fax +49 2154 9206 4903
