

ROCKTRON
TECHNOLOGY FOR GUITARISTS
BANSHEE **AMPLIFIED TALKBOX**

U S E R ' S M A N U A L

! Note !

Read this manual thoroughly before operating this unit. Failure to heed any warnings contained herein could potentially result in damage to your equipment.



May be covered by one or more of the following: U.S. Patents #4538297, 4647876, 4696044, 4745309, 4881047, 4893099, 5124657, 5263091, 5268527, 5319713, 5333201, 5402498 and 5493617.
Other patents pending. Foreign patents pending.



Your Banshee™ pedal has been tested and complies with the following Standards and Directives as set forth by the European Union:

Council Directive(s): 89/336/EEC Electromagnetic Compatibility

Standard(s): EN55013, EN50082-1

This means that this product has been designed to meet stringent guidelines on how much RF energy it can emit, and that it should be immune from other sources of interference when properly used. Improper use of this equipment could result in increased RF emissions, which may or may not interfere with other electronic products.

To insure against this possibility, always use good shielded cables for all audio input and output connections. This will help insure compliance with the Directive(s).

For more information about other Rocktron products, please see your local dealer or one of our importers closest to you (listed on pages 9-10).

Copyright © 2002 GHS Corporation
All Rights Reserved.

Precautions

NOTE: IT IS VERY IMPORTANT THAT YOU READ THIS SECTION TO PROVIDE YEARS OF TROUBLE FREE USE. THIS UNIT REQUIRES CAREFUL HANDLING:

Read all instructions contained in this manual.

Keep these instructions

Heed all warnings

Follow all instructions.

Do not use this apparatus near water.

Clean with dry cloth

Do not block any ventilation openings (if applicable). Install in accordance with the manufacturer's instructions.

Do not install near any heat sources such as radiators, heat registers, stoves or other apparatus (including amplifiers) that produce heat.

This product is not equipped with a plug or cable. The included 9Volt AC adapter is the only power supply approved to power this unit.

Protect the adapter cord from being walked on or pinched.

Only used attachments/accessories specified by the manufacturer.

Do not use this product with any case, stand tripod, bracket or table that is not specified by the manufacturer. Insure that the case, stand, tripod, bracket etc. is properly adjusted and setup (follow all instructions). Extra care and caution should be taken to avoid tip over and injury.

Unplug this apparatus during lightening storms or when unused during long periods of time.

Precautions Continued...

Refer all service to qualified service personnel. Servicing is required when the apparatus has been damaged in any way, such as power supply or plug is damaged, liquid has been spilled or objects have fallen into the apparatus or if the apparatus has been exposed to rain or moisture, does not operate normally or has been dropped.

DO NOT ATTEMPT TO SERVICE THIS EQUIPMENT. QUALIFIED PERSONNEL SHOULD SERVICE THIS EQUIPMENT ONLY. DO NOT MAKE ANY INTERNAL ADJUSTMENTS OR ADDITIONS TO THIS EQUIPMENT AT ANY TIME OR TAMPER WITH INTERNAL ELECTRONIC COMPONENTS AT ANY TIME. FAILURE TO FOLLOW THESE INSTRUCTIONS MAY VOID THE WARRANTY OF THIS EQUIPMENT AS WELL AS CAUSEING A SHOCK HAZARD.

OPERATING TEMPERATURE

Do not expose this unit to excessive heat. This unit is designed to operate between 32 F and 104 F (0 C and 40 C). This unit may not function properly under extreme temperatures.

! WARNING !

The internal driver of the Banshee™ Talkbox is capable of producing extremely high sound pressure levels. Because of this, the vinyl talkbox tube supplied with the Banshee should **NEVER** be placed near any person's ear. Failure to use caution and/or ear protection when using this product may result in permanent hearing impairment or hearing loss. The manufacturer is not responsible for any damage resulting from the use of this product.

Due to health issues, the vinyl tube supplied with the unit cannot be returned to the factory or dealer.

Contents

Introduction	2
Functions	3
Connections	4
Block Diagram	6
Specifications	7

Introduction

Congratulations on your purchase of the Rocktron Banshee™ talkbox! The Banshee is a self-contained talkbox effect containing its own preamp and power amplifier for driving the internal horn driver. Unlike other talkboxes, where the effect is connected between the amplifier and speaker, the Banshee is connected between the guitar and amplifier—similar to standard pedal effects. This eliminates the requirement of long speaker lines for the A/B function in order to bypass the effect.

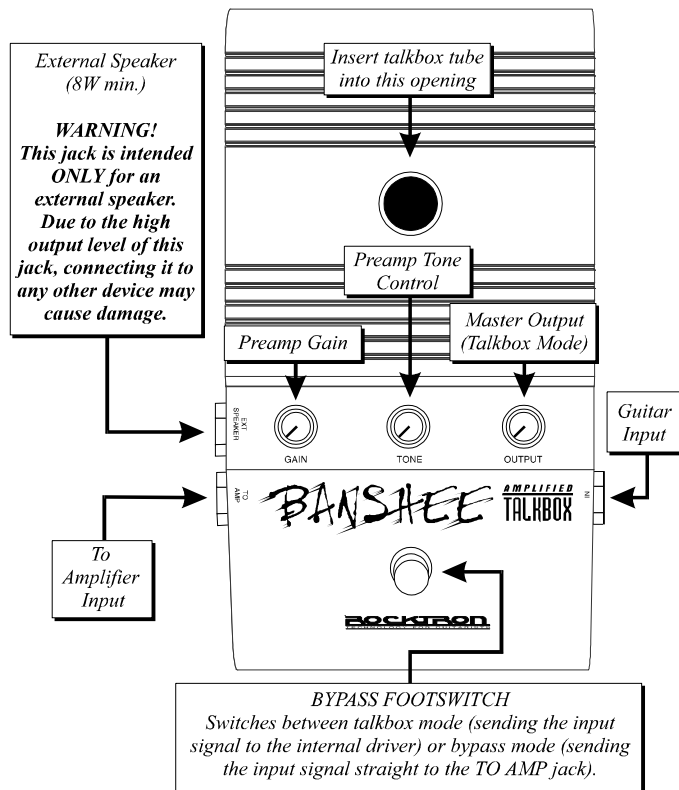
The Banshee also features an external speaker jack, which allows access to the output of the amplifier while disengaging the internal driver. An external speaker (8W min.) can then be implemented for use as a practice amp, or a low power recording amp.

A 6ft. non-toxic vinyl tube is supplied with the Banshee for the talkbox function. On one end of the tube is a ¾" vinyl sleeve. This end is to be inserted into the opening on the top of the Banshee. This provides a snug fit for the talkbox tube.

Using the Talkbox Function

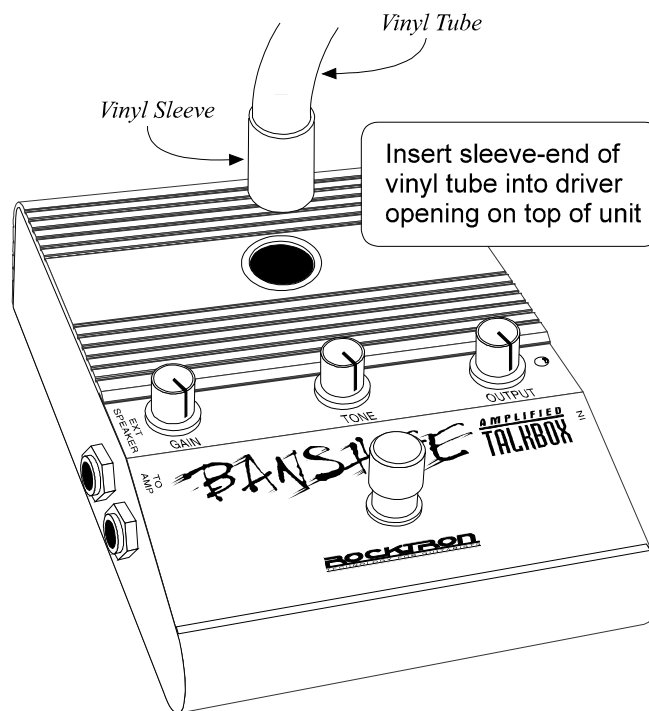
The talkbox effect is achieved by connecting one end of the tube at the internal driver through the opening at the top of the Banshee. When playing, the sound produced by the driver travels through the tube to the other end, which is held in the player's mouth at the microphone. The player manipulates the talkbox sound through mouth movement.

Functions



Connections

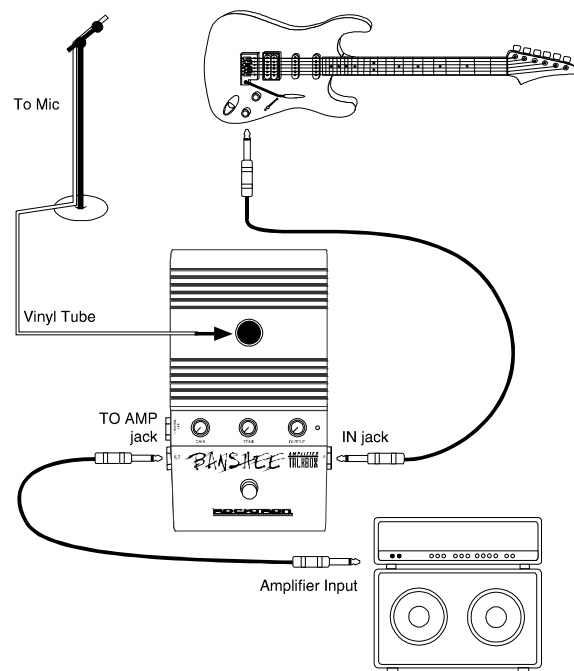
Connecting the talkbox tube:



Standard Connection

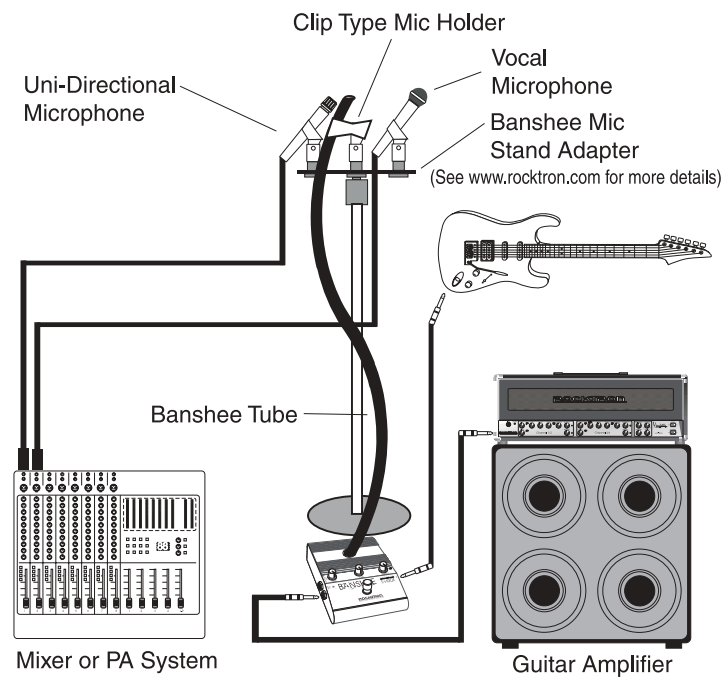
Wrap tube around mic stand so that end of tube opening is just past the end of the mic. There are various ways to secure the tube to the mic - tape, elastic bands, etc. (check Rocktron website for future accessories for this (www.rocktron.com))

Place mouth over tube and let the sound go into your mouth - this sound will be picked up by the microphone. How you move your mouth and lips will determine the sound going into the microphone - try different things!:



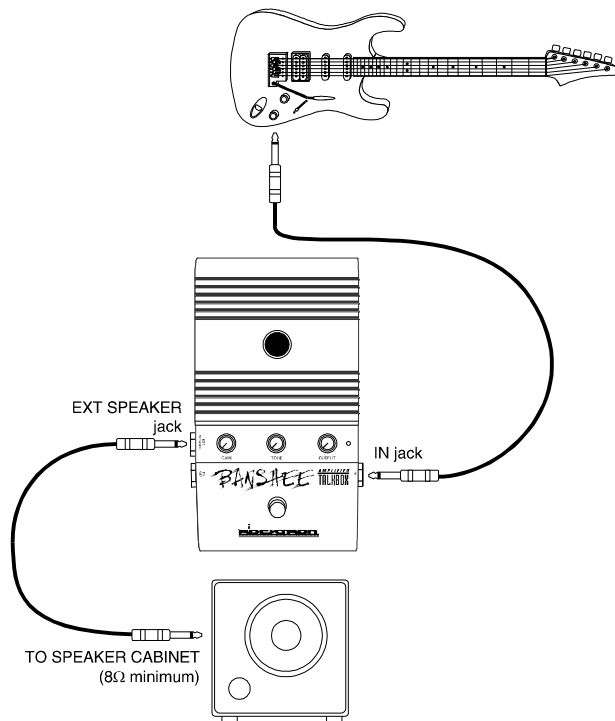
Recommended Connection

For the very best sound we recommend that you use an uni-directional “probe” style microphone and a dedicated channel on the mixer board for the Banshee. This will allow you to get the maximum volume without feeding back. Use a separate microphone for your Vocals. A Banshee Mic Stand Adapter is available at www.rocktron.com

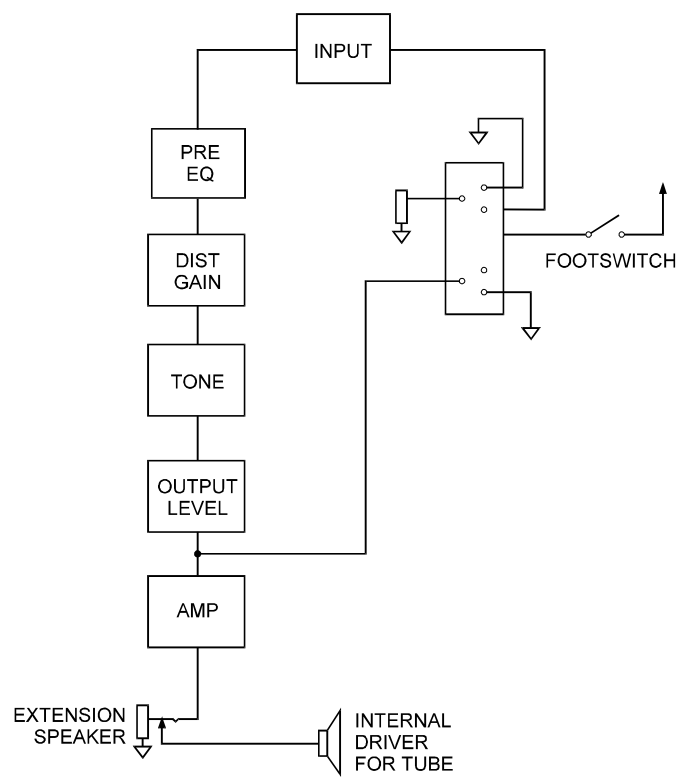


Using the Banshee with an external speaker as a practice amp.

Warning - do NOT attach extension speaker out to an amplifier or PA system.
This output is only meant to be connected to a speaker cabinet.



Block Diagram



Check out some of our other products:

Rack Gear:

Gainiac (*preamp w/12ax7 tube*)

Chameleon® 2000 (*preamp w/multi-effects*)

Voodoo Valve® (*preamp w/12ax7 tube and multi-effects*)

Prophecy (*our top of the line preamp with multi-effects*)

Intellifex® On Line (*Multi-effects processor*)

HUSH® Super C (*guitar noise silencing system*)

Vendetta VP4 Preamp (*All Tube 4-Channel Guitar preamp - 2 Rack Space*)

Velocity® 100 (*2x50W Stereo Power Amp for Guitar*)

Stomp Boxes:

Rampage Distortion, Tsunami Chorus, Austin Gold Overdrive,

Vertigo Vibe Rotating Vibe Pedal, HUSH® The Pedal

Foot Controllers:

MIDI Mate (*Midi Foot Controller*)

MIDI I.T. (*MIDI Footcontroller*)

All Access® (*Midi Foot Controller*)

RMM900 (*7-pin Din MIDI Cable*)

RFS1 and RFS2 (*Single and Double Latching Footswitches for Rampage Amps*)

other products continued.....:

Electric Guitar - Acoustic Guitar and Bass Amplifiers:

Vendetta Head (100 W Head 4-Channels All Tube - MIDI Switchable)

Vendetta Combo (100W 2x12 Combo Celestion 90s all Tube 4-Channel MIDI Switchable)

R80DSP (80W 1x12 Amp w/Digital Effects)

RT80 (80W 1x12 Amp w/Reverb & Built-in Tuner)

R120DSP (120W 2x10 Amp w/Digital Effects)

R120C (120W 2x12 Amp w/Stereo Chorus and Reverb)

RT122C (120W 2x12 Amp w/Stereo Chorus, Reverb & Chromatic Tuner)

R50DSP (50 Watt 2x8" Guitar Amp w/Digital Effects)

R50C (50 Watt 2x8" Guitar Amp w/Reverb & Chorus)

R20 (20 Watt 1x8" Amp w/Reverb)

R10 (10 Watt 1x6.5")

ACOUSTIC (60 Watt Acoustic Amp with Chorus & Reverb)

RA50DSP (50W Acoustic Amp w/Digital Effects - Wedge Shape)

RA30DSP (30W Acoustic Amp w/Digital Effects - Wedge Shape)

RB20 (Bass Amp 20W with 8" Speaker)

RB30 (Bass Amp 30W with 10" Speaker)

RB60 (Bass Amp 60W with 12" Speaker)

RB100 (Bass Amp 100W with 15" Speaker)

Specifications

Maximum Input	+9.5dBu
Input Impedance	1M Ω
Current Consumption	1.003A @ 5 watts
Power Requirements	9VAC
Minimum Load on Output	8 Ω
Output Power	5W @ clipping (8 Ω load)

** CE Approved **



Rocktron -A Division of GHS Corporation

2813 Wilber Avenue
Battle Creek MI 49015
USA

Rocktron Phone: 1-(616)-968-3351
Email: info@rocktron.com

Check us out on the web at:

www.rocktron.com