

LIMITED WARRANTY

This product is warranted to the original consumer purchaser to be free from defects in materials and workmanship under normal installation, use and service for a period of one (1) year from the date of purchase as shown on the purchaser's receipt.

The obligation of Rolls Corporation under this warranty shall be limited to repair or replacement (at our option), during the warranty period of any part which proves defective in material or workmanship under normal installation, use and service, provided the product is returned to Rolls Corporation, TRANSPORTATION CHARGES PREPAID. Products returned to us or to an authorized Service Center must be accompanied by a copy of the purchase receipt. In the absence of such purchase receipt, the warranty period shall be one (1) year from the date of manufacture.

This warranty shall be invalid if the product is damaged as a result of defacement, misuse, abuse, neglect, accident, destruction or alteration of the serial number, improper electrical voltages or currents, repair, alteration or maintenance by any person or party other than our own service facility or an authorized Service Center, or any use violative of instructions furnished by us.

This one-year warranty is in lieu of all expressed warranties, obligations or liabilities. ANY IMPLIED WARRANTIES, OBLIGATIONS, OR LIABILITIES, INCLUDING BUT NOT LIMITED TO THE IMPLIED WARRANTIES OF MERCHANTABILITY AND FITNESS FOR A PARTICULAR PURPOSE, SHALL BE LIMITED IN DURATION TO THE ONE YEAR DURATION OF THIS WRITTEN LIMITED WARRANTY. Some states do not allow limitations on how long an implied warranty lasts, so the above limitation may not apply to you.

IN NO EVENT SHALL WE BE LIABLE FOR ANY SPECIAL, INCIDENTAL OR CONSEQUENTIAL DAMAGES FOR BREACH OF THIS OR ANY OTHER WARRANTY, EXPRESSED OR IMPLIED, WHATSOEVER. Some states do not allow the exclusion or limitation of special, incidental or consequential damages so the above limitation or exclusion may not apply to you. This warranty gives you specific legal rights, and you may also have other rights which vary from state to state.

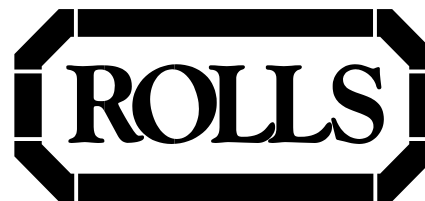
Rolls Corporation
Salt Lake City, UT
11/98



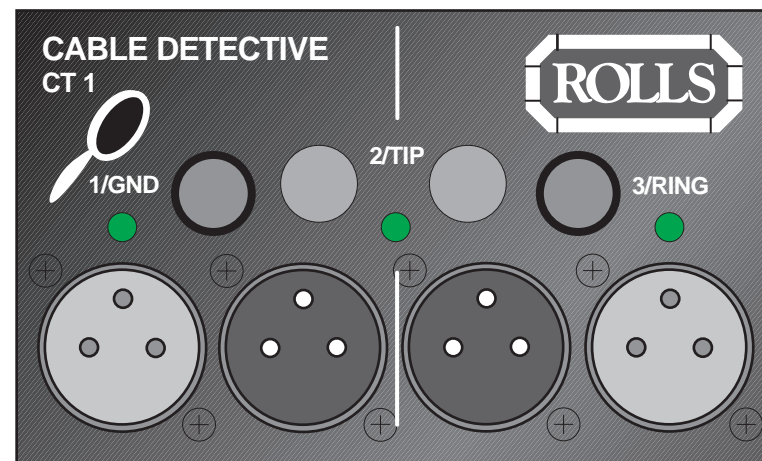
CT1 Cable Detective

- Tests 1/4", RCA, XLR and MIDI cables
- Tests combinations of 1/4", RCA and XLR
- Easy to read LED indicators

Any musician or sound person knows how difficult it is to maintain working cables. The CT1 provides an efficient way to detect shorted or open cables. It tests 1/4" TS, 1/4" TRS, RCA, XLR, and MIDI cables and combinations of the above.



CT1 CABLE DETECTIVE



OWNERS MANUAL

INTRODUCTION

Thank you for your purchase of the CT1 CABLE DETECTIVE cable tester. This unit was designed with the working musician and sound person in mind. Read the following manual carefully to ensure proper operation and a full understanding of all the CT1 functions. The CT1 tests for opens, shorts, intermittents and crossed wires.

INSPECTION

1. Unpack and Inspect the CT1 package

Be sure to examine the unit and the carton for any signs of damage that may have occurred during shipping. If obvious physical damage is noticed, contact the carrier immediately to make a damage claim. We suggest saving the shipping carton and packing materials for safely transporting the unit in the future.

2. Please complete the Warranty Registration Card and return it to the factory.

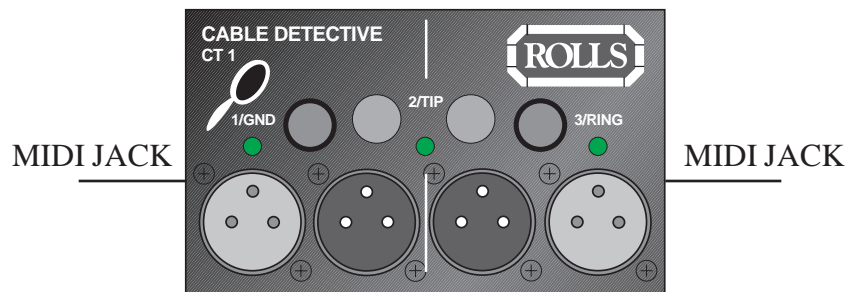
DESCRIPTION

The CT1 consists of two RCA jacks, two 1/4" jacks, two female XLR jacks, two male XLR jacks, and two MIDI jacks (located on the sides of the unit).

LED 1/GND: Indicates continuity between pins 1 of an XLR cable, or ground on an RCA or 1/4", or pins 4 of a MIDI cable.

LED 2/TIP: Indicates continuity between pins 2 of an XLR cable, or the tip on an RCA or 1/4" cable, or pins 5 of a MIDI cable.

LED 3/ RING: Indicates continuity between pins 3 of an XLR cable, or the ring of a stereo 1/4" cable.



OPERATION

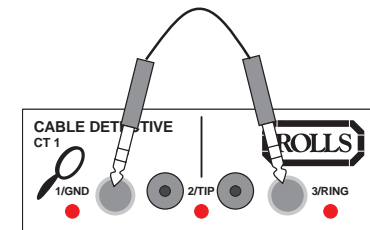
Insert one end of the cable to be tested on the left side of the line, located in the middle of the CT1, and the other side of the cable on the right side of the line. See example 1.

To test RCA and 1/4" TS cables, plug each end of the cable into the proper jack and wiggle the cable around at different points on the cable. Watch the 1 and 2 LEDs, if either LED is off, or goes on and off - the cable is defective.

The testing procedure for 1/4" TRS (stereo) and XLR cables is identical

to the above, except watch the 1,2 and 3 LEDs.

Adapter type cables, such as 1/4" to XLR cables, may also be tested by plugging each end into its proper plug in either side of the line. Test as indicated above.



Example 1

TEST INDICATORS

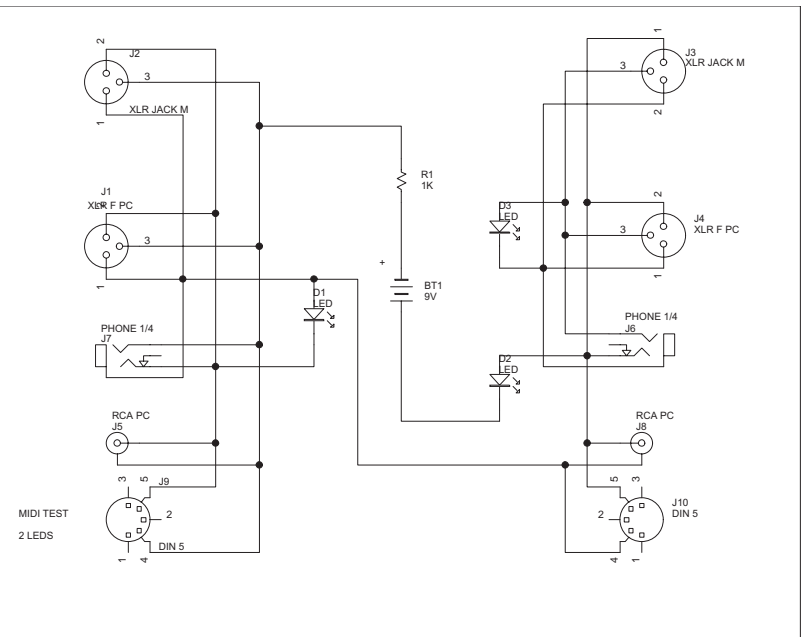
NO LEDS = BAD CORD OR DEAD CT1 BATTERY

1 LED = SHORTED WIRES

2 LEDS = RCA, MONO OR MIDI CORD GOOD, OR CROSSED WIRES IN 1/4" STEREO OR XLR CORDS

3 LED = GOOD STEREO 1/4" TRS OR XLR CABLE

SCHEMATIC



NO LEDS = BAD CORD OR DEAD BATTERY

1 LED = SHORTED WIRES

2 LEDS = RCA, MONO OR MIDI CORD GOOD, OR CROSSED WIRES IN STEREO & XLR CORDS

3 LEDS = GOOD STEREO 1/4" TRS, OR XLR CORD

CABLE TESTER CT1	
Document Number:	A
Ba	CT1.SCH
Date: 22-Apr-1999	Sheet 1 of