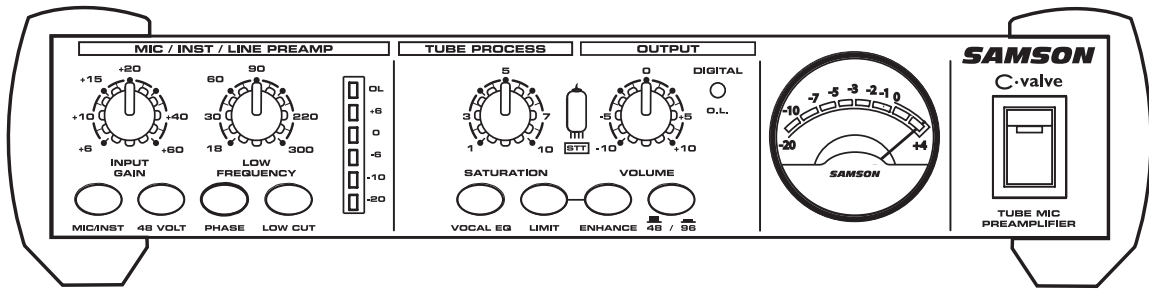


C·valve



**TUBE MICROPHONE/INSTRUMENT
PREAMPLIFIER WITH DIGITAL OUTPUT**

Owners Manual

SAMSON
A U D I O

C
C
l
a
s
s
S
i
g
n
a
l
P
r
o
c
e
s
s
o
r
s

Safety Instructions

Caution: To reduce the hazard of electrical shock, do not remove cover or back.

No user serviceable parts inside. Please refer all servicing to qualified personnel.

CAUTION
FOR CONTINUED PROTECTION AGAINST RISK
OF FIRE, REPLACE ONLY WITH SAME TYPE FUSE
ATTENTION
UTILISER UN FUSIBLE DE
RECHANGE DE MÊME TYPE

WARNING
DO NOT EXPOSE THIS EQUIPMENT
TO RAIN OR MOISTURE
AVIS
RISQUE DE CHOC ELECTRONIQUE
NE PAS OUVRIR



WARNING: To reduce the risk of fire or electric shock, do not expose this unit to rain or moisture.

The lightning flash with an arrowhead symbol within an equilateral triangle, is intended to alert the user to the presence of uninsulated "dangerous voltage" within the products enclosure that may be of sufficient magnitude to constitute a risk of electric shock to persons.

The exclamation point within an equilateral triangle is intended to alert the user to the presence of important operating and maintenance (servicing) instructions in the literature accompanying the product.

Important Safety Instructions

1. Please read all instructions before operating the unit.
2. Keep these instructions for future reference.
3. Please heed all safety warnings.
4. Follow manufacturers instructions.
5. Do not use this unit near water or moisture.
6. Clean only with a damp cloth.
7. Do not block any of the ventilation openings. Install in accordance with the manufacturers instructions.
8. Do not install near any heat sources such as radiators, heat registers, stoves, or other apparatus (including amplifiers) that produce heat.
9. Do not defeat the safety purpose of the polarized or grounding-type plug. A polarized plug has two blades with one wider than the other. A grounding type plug has two blades and a third grounding prong. The wide blade or third prong is provided for your safety. When the provided plug does not fit your outlet, consult an electrician for replacement of the obsolete outlet.
10. Protect the power cord from being walked on and pinched particularly at plugs, convenience receptacles and at the point at which they exit from the unit.
11. Unplug this unit during lightning storms or when unused for long periods of time.
12. Refer all servicing to qualified personnel. Servicing is required when the unit has been damaged in any way, such as power supply cord or plug damage, or if liquid has been spilled or objects have fallen into the unit, the unit has been exposed to rain or moisture, does not operate normally, or has been dropped.

Table of Contents

Introduction	2
C valve Features	3
Controls and Functions	4-5
Front Panel Layout	4
Rear Panel Layout	5
Operating the C valve	6-13
Setting Up the C valve	6-7
Setting a Good Level	8
Using The C valve For Getting A Sound	9
Using the Low Cut Filter	9-10
Using the Tube Process	10
Using the Enhancer	10
Using C valve With An External Signal Processor	11
Using the Digital Output	12
Using the Digital Link Jack	13
System Set-ups	14-15
Stacking and Tilting the C valve	16
C valve Connections	17
C•Class Dual Rack Adapter (optional)	18
Block Diagram	19
Specifications	20

THIS DEVICE COMPLIES WITH PART 15 OF THE FCC RULES. OPERATION IS SUBJECT TO THE FOLLOWING TWO CONDITIONS; (1) THIS DEVICE MAY NOT CAUSE HARMFUL INTERFERENCE, AND (2) THIS DEVICE MUST ACCEPT ANY INTERFERENCE RECEIVED, INCLUDING INTERFERENCE THAT MAY CAUSE UNDESIRE OPERATION.

Copyright 2003, Samson Technologies Corp.

Printed October, 2003

Samson Technologies Corp.
575 Underhill Blvd.
P.O. Box 9031
Syosset, NY 11791-9031
Phone: 1-800-3-SAMSON (1-800-372-6766)
Fax: 516-364-3888
www.samsontech.com

Introduction

Congratulations! You just purchased one of the most useful audio tools for digital audio recording, C valve from Samson Audio. The C valve is a high quality microphone/instrument tube pre-amplifier offering a tremendous amount of transparent gain with a pristine audio path that terminates in both balanced analog and S/PDIF digital outputs. By using discreet transistor pre-amp topology, along with the warmth from the incorporation of the 12AX7 tube, the C valve takes advantage of the latest technology, together with time proven circuit technique. The result; a super clean pre-amp for microphones or instruments with the warmth and personality of a classic unit, which makes C valve the perfect tracking device for any recording situation. And, with the SATURATION control you can dial up specific amounts of harmonics that are right for your recording or performance. An optical limiter with a musical response is built into C valve, which will help you get a good level to your mixer or recorder. The C valve also features a variable LOW-CUT filter and a musical ENHANCE circuit to add a pleasant “high-frequency lift” to the overall sound. To monitor your input levels, the C valve features a six segment LED bar VU meter, along with a classic analog circular VU meter, which displays the output level. In order to bridge the classic sound of the warm mic-pre to today’s digital audio world, the C valve features a high quality, 24Bit, A to D converter with a selectable sample rate of 48 or 96K feeding the S/PDIF digital output . In addition, two C valve’s can be linked together to make a stereo mic-pre with digital out. The C valve is a perfect addition to any recording studio, especially those using computer based hard disk recorders, as well as for live use to capture that studio sound live.

Although this unit is designed for easy operation, we suggest you take some time out first to go through these pages so you can fully understand how we’ve implemented a number of unique features. In this manual, you’ll find a more detailed description of the features of the C valve, as well as a guided tour through the front and rear panels, step-by-step instructions for using the C valve and full specifications. You’ll also find a warranty card enclosed— please don’t forget to fill it out and mail it so that you can receive online technical support and so we can send you updated information about other Samson products in the future.

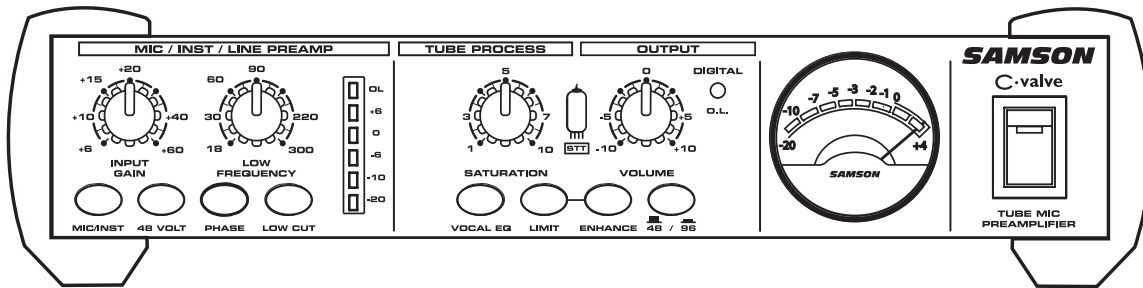
With proper care and adequate air circulation, your C valve will operate trouble free for many years. We recommend you record your serial number in the space provided below for future reference.

Serial number: _____

Date of purchase: _____

Should your unit ever require servicing, a Return Authorization number (RA) must be obtained before shipping your unit to Samson. Without this number, the unit will not be accepted. Please call Samson at 1-800-3SAMSON (1-800-372-6766) for a Return Authorization number prior to shipping your unit. Please retain the original packing materials and if possible, return the unit in the original carton and packing materials.

C valve Features

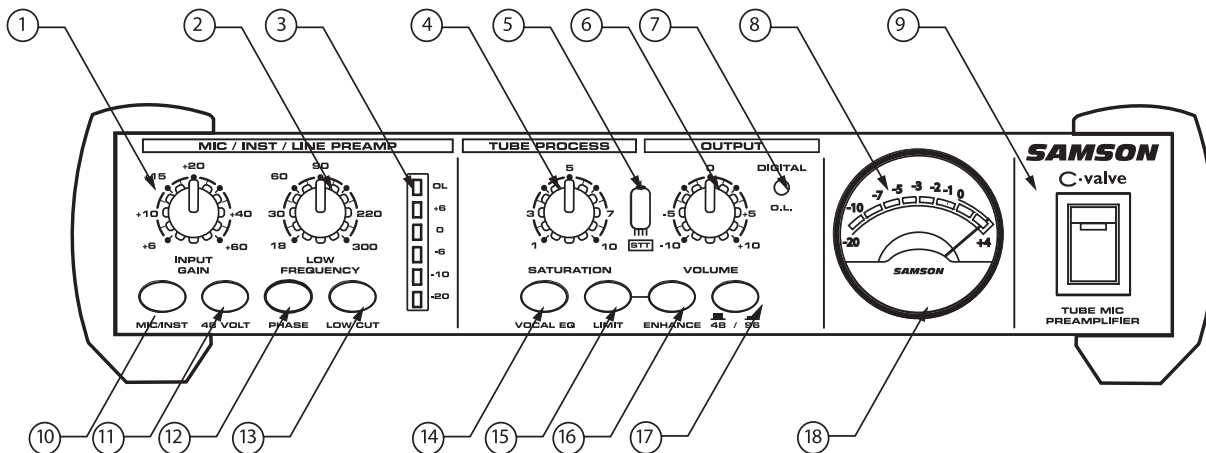


The Samson C valve microphone and instrument pre-amp utilizes the latest technology in circuit design. Here are some of its main features:

- A high quality microphone or instrument pre-amplifier using discrete transistor and tube gain cells.
- On board Limiter for leveling the output is useful in recording and live sound applications.
- The total amount of harmonic overtones or “warmth” can be controlled using the Saturation control.
- An Input Gain control is included to maximize the overall input gain stage, handling levels from microphones or instruments.
- A pre-set “sweetening” equalization curve can be added using the Enhance switch.
- Positive or negative phase can be selected using the Phase switch.
- The addition of an Analog VU meter makes it easy to read the Output Level.
- 48-volt phantom power for powering condenser microphones is available by pressing the LED, backlit, 48-Volt push switch located on the front panel.
- S/PDIF output via an internal, high quality A-to-D (analog-to-digital) converter sends 24-bit digital audio to hard disk recorders via the rear panel RCA connector.
- Sample rate selection via the front panel, backlit switch allows 48 or 96K sample rates.
- Six segment LED Input VU meter displays the level after the Gain control.
- Convenient 1/4-inch insert points are included for external signal processing.
- Balanced XLR microphone input and 1/4-inch balanced line input connectors allow easy hook up of mics or instruments.
- Oversized, rubber bumpers with tilting feet allow several Samson C class units to be stacked and tilted in an ergonomically correct operating position.
- The stylish, bead blasted, electric blue anodized front-panel is as easy to read as it is to look at.
- Three-year extended warranty.

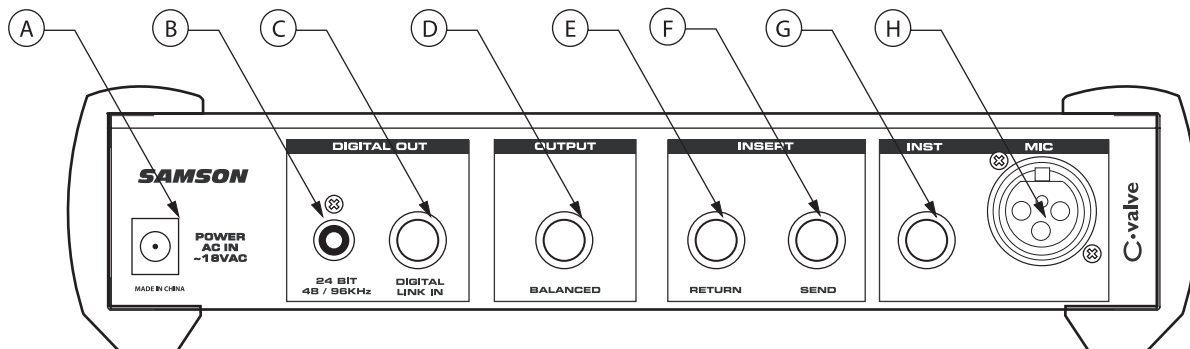
C valve Layout

Front Panel Layout



- ① **INPUT GAIN** – Rotary control used to adjust the input level.
- ② **LOW FREQUENCY** – This rotary control is used to set the EQ cut off point for the Low Cut filter.
- ③ **INPUT METER** – Six segment LED VU meter displays the input level after being affected by the Gain control.
- ④ **SATURATION** – Rotary control used to adjust the total amount of harmonic overtones generated by the tube circuit.
- ⑤ **PILOT LIGHT** - Illuminated indicator that rises in intensity, and when fully lit, signifies the tube circuit is ready for operation.
- ⑥ **VOLUME** – Rotary knob used to control the overall Output level.
- ⑦ **Digital Overload** - LED indicator, which when illuminated, displays the digital clipping point of the Analog to Digital converter.
- ⑧ **VU METER** – Classic round analog VU meter displays the amount of output level.
- ⑨ **POWER SWITCH** – Heavy-duty rocker switch which, when pressed to the “on” position, lights the internal green LED, indicating the unit is powered up and ready for operation.
- ⑩ **MIC/INST switch** – This switch is used to select the proper input operating level for either a microphone or a line/instrument signal source.
- ⑪ **48 VOLT** – When pressed in, the switch will illuminate red indicating the 48-volt phantom power is on.
- ⑫ **PHASE** – LED backlit switch which will invert the phase of the mic or instrument input.
- ⑬ **LOW CUT SWITCH** – Used to engage the variable low-cut filter, which attenuates or rolls-off the low frequency at a rate of 12 dB per octave starting at the point set by the Low Frequency control knob.
- ⑭ **VOCAL EQ** - When pressed in, the push switch activates the Vocal EQ circuit providing a pre-set equalization curve for “sweetening” the signal with a subtle, but useful, airy high-end lift .
- ⑮ **LIMIT SWITCH** – When engaged, the LED lights indicating the Limiter circuit is activated.
- ⑯ **ENHANCE** - When pressed in, the switch activates the Enhance circuit which helps restore the high frequencies that can be lost when the signal is being protected by the on-board LIMITER.
- ⑰ **48/96 SWITCH** - LED backlit switch is used to select the sampling frequency of the internal A-to-D converter for either 48 or 96 kiloHertz operation.
- ⑱ **C-valve TUBE MIC PREAMPLIFIER** – Tube mic preamplifier section.

Rear Panel Layout



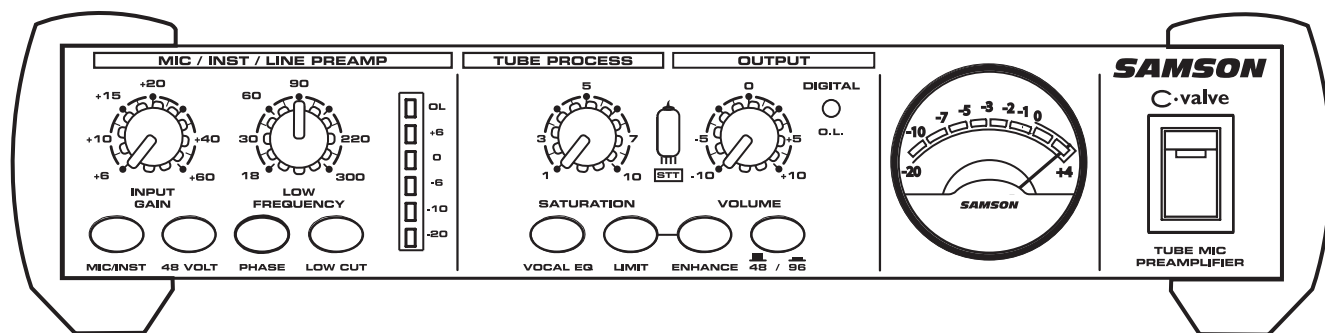
- A** **AC INLET** – Connect the included AC1800 power supply here.
- B** **24 BIT 48 / 96 (DIGITAL OUT)**- 24-bit S/PDIF Digital Output on an RCA connector.
- C** **DIGITAL LINK IN**- 1/4-inch input jack for connecting the balanced line output of a second C valve so that the two units work as a stereo unit transmitting the left and right signals from a single S/PDIF digital output.
- D** **BALANCED OUTPUT** – 1/4-inch TRS (TIP/RING/SLEEVE) connector for balanced, line level output.
- E** **RETURN (INSERT)** – 1/4-inch phone jack for carrying the return signal of the external processing loop.
- F** **SEND (INSERT)** - 1/4-inch phone jack for carrying the send signal for the external processing loop.
- G** **INSTRUMENT IN** - 1/4-inch phone input jack for connecting signals from instruments or line level devices.
- H** **MIC INPUT** – 3-Pin XLR input connector for connecting microphone level signals.

Operating The C valve

Setting up the C valve

Setting up your C Valve tube pre-amp is a simple procedure, which takes only a few minutes:

1. Remove all packing materials (save them in case of need for future service) and decide where the pre-amp is to be physically placed. To avoid potential overheating problems, be sure that there is good ventilation around the entire unit.
2. Plug the provided AC power adapter in the rear AC inlet, but don't plug the power pack into a wall outlet just yet.
3. Set the controls to the following positions:



INPUT GAIN	6	PHASE	OUT
LOW FREQUENCY	90	LOW CUT	OUT
SATURATION	1	VOCAL EQ	OUT
VOLUME	-10	LIMIT	OUT
MIC/INSTRUMENT	OUT	ENHANCE	OUT
48-VOLT	OUT	48 / 96	48 (OUT)

4. Using a standard XLR microphone cable, connect your microphone to the MIC input located on the rear panel. If you are using an instrument like a guitar or bass guitar, use a standard 1/4-inch phone cable and connect the instrument to the INST input located on the rear panel. For a detailed wiring guide, see page 16 in this manual.
5. Now, connect the rear panel output to your mixer or recorder.

Operating The C valve

Setting Up the C valve (continued)

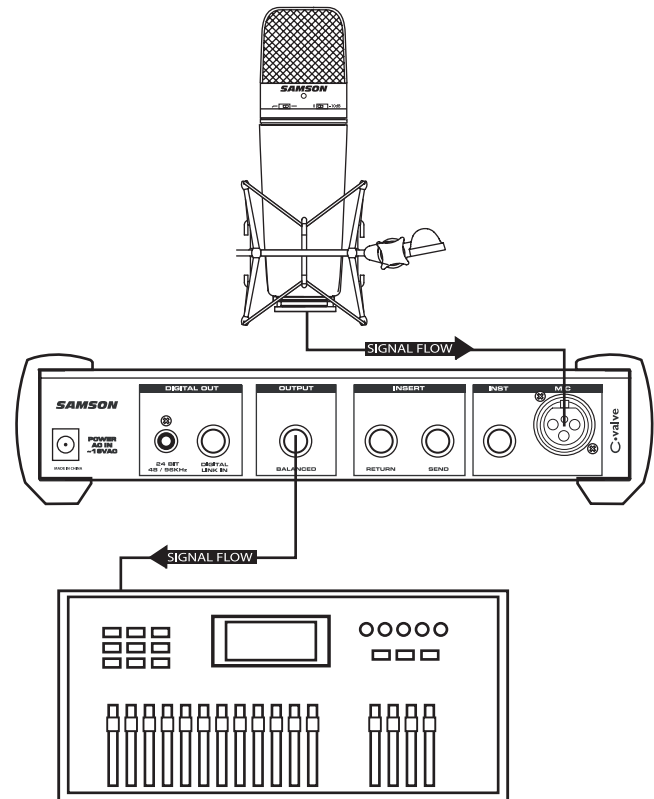
6. Plug the C valve power pack into a wall outlet and switch the unit on by pressing the power switch.
7. If you are using an instrument with your C valve, press the MIC/INST switch in to set the C valve's input to accept instrument levels. The LED will illuminate. If you are using a microphone skip this step and go on to the next step.
8. The C valve features on board 48-volt phantom power supply for connecting condenser microphones.

IMPORTANT NOTE: *With all phantom power supplies, you can get an annoying POP when you engage the phantom power supply, or when you unplug a cable that has phantom power on it. Depending how loud you are monitoring, this POP can cause damage to your speakers, and even to your hearing. Be sure to turn your speakers, and/or headphone levels, all the way down when switching the phantom supply on and off or plugging and unplugging cables.*

If you are using a condenser microphone, turn down your monitor speakers and/or headphones, and then press the front panel 48 VOLT switch to engage the phantom power.

9. Now, set a level by playing your instrument or singing into your mic, and slowly raise the INPUT GAIN control until you see the LED VU meter reach a level of about "0dB".
10. Be sure that your mixer or recorder's input is enabled and turned up. Now, slowly raise the output VOLUME control until you reach a good level, about "-3dB", on the analog output VU meter. Then, set a good level on your mixer or recorder.

At this point you should be sending a clean signal to your mixer or recorder and you can experiment with the SATURATION, VOCAL EQ and ENHANCER features for fun. A detailed explanation of these functions will be covered in the following sections of this manual.



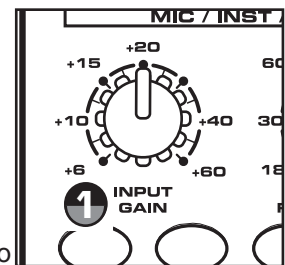
Operating The C valve

Setting a Good Level

One of the most important fundamentals of good audio engineering is setting proper levels. Even on a small typical mixer, or basic multi-track recorder, there are several controls that affect the level of a signal as it makes its way from your sound source to your speakers and then, ultimately, the level of your headphone or monitor system. These include pre-amp gain, EQ, aux sends and returns, channel fader level, bus or group levels, and finally, the master fader. That's not to mention the level of the 5:15 train on its way to Pennsylvania station who's thunderous crossing horn can be picked up from 5 miles away while miking a nylon string guitar, despite the use of double moving blankets over the windows of your project studio. But that's another story with another set of disciplines. Start off by being aware that anytime you change any control in the audio path, you are probably affecting gain somewhere. Then, be sure to carefully monitor the levels on your input and output meters to avoid a clipped signal with too many peaks. Also, remember your ear is the most sophisticated and calibrated piece of test gear you have. So, setting a good level should be approached from a technical point of view, and then confirmed, by a creative point of view.

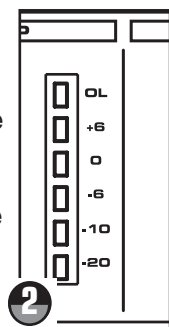
1 INPUT GAIN – Control Knob

As the name implies, the INPUT GAIN is used to set the level of the input signal. The rotary control knob provides a range of gain from +6 to +60 dB. The C valve can accept levels from most microphones when the MIC/INST switch is set to the MIC position. When the MIC/INST switch is set to instrument, the C valve can accept signals from instruments or line level sources. Once you set the MIC/INST switch to the proper position, you can use the INPUT GAIN control to adjust the level of your input signal. It is a good idea to start with the level low and raise it up as you need. Be sure to monitor the input LED VU METER and try to set the INPUT GAIN control so that the meter reads +0 to +6dB. If you see the OL LED light you are “Over-Loading” and the sound may become distorted. If this happens, simply back down on the INPUT GAIN control until the OL light stops flashing.



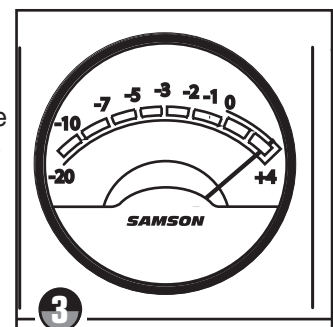
2 LED VU METER – Input Level

To monitor the signal being presented to the C valve's input, there is a six-segment LED-bar VU meter indicating -20, -10, -6, 0, +6 and OL (OVER-LOAD). The level displayed on the meter will be affected by the MIC/INST switch so be sure that you have that set to the correct position for your sound source. The LED VU METER features “VU” ballistics, which means it reacts to the signal based on an average level. Use the VU METER when you are setting your initial input level with the INPUT GAIN control. Try to set the INPUT GAIN control so that the meter reads +0 to +6dB. If you see the OL LED light you are “Over-Loading” and the sound may become distorted. If this happens, simply back down on the INPUT GAIN control until the OL light stops flashing.



3 ANALOG VU METER - Output Level

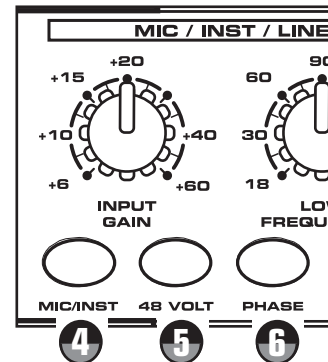
To monitor the signal being sent from the C valve's OUTPUT, there is an ANALOG VU METER with a scale from infinity to +4dB. The level displayed on the meter will be affected by the MIC/INST switch so be sure that you have that set to the correct position for your sound source. The ANALOG VU METER features “VU” ballistics, which means it reacts to the signal based on an average level. Use the ANALOG VU METER when you are setting your output level using the VOLUME control. Try to set the level so that the meter reads about 0dB. If you see the needle stay all the way to the right, you are “Over-Loading” and the sound may become distorted. If this happens, simply back down on the VOLUME control until the meter reads about 0dB.



Operating The C valve

4 MIC/INST - Select switch

The MIC/INST switch is used to set the operating level of the C valve's input. When using a microphone, set the switch to the "MIC" position, which is selected when the switch is in the out position and the green LED is off. When you press the MIC/INST switch in, the green LED will illuminate indicating that the C valve is ready to accept a signal from an instrument like a guitar or bass guitar. You can also use the INST input to connect a line level device like a keyboard or drum machine.



5 48 VOLT - Phantom Power Switch

The C valve provides on-board phantom power supply for powering condenser microphones.

IMPORTANT NOTE: *With all phantom power supplies, you can get an annoying POP when you engage the phantom power supply, or when you unplug a cable that has phantom power on it. Depending how loud you are monitoring, this POP can cause damage to your speakers, and even to your hearing. Be sure to turn your speakers, and/or headphone levels, all the way down when switching the phantom supply on and off or plugging and unplugging cables.*

If you are using a condenser microphone, turn down your monitors speakers and/or headphones, and then press the front panel 48 VOLT switch to engage the phantom power. The red LED will illuminate indicating the phantom power is present on the mic connector.

6 PHASE - Switch

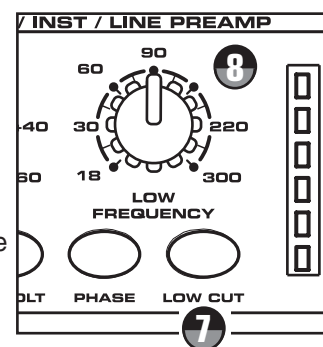
For a variety of miking and mixing techniques, it may be necessary to invert the signal phase from the source you have plugged into your C valve pre-amp. When the PHASE switch is pressed in, the yellow LED will light showing that the input signal is now out-of-phase.

Using The C valve For Getting A Sound

In addition to providing a pristine signal path, the C valve offers several features to help you get a sound. They include the LOW CUT, VOCAL EQ, LIMITER, ENHANCE and SATURATION control. Each one of these parameters has an effect on the signal.

Using the Low Cut Filter

Like any good mic pre, the C valve features a LOW CUT, or (High-Pass), filter for attenuating the bottom-end frequencies. The LOW CUT filter allows you to remove the lower frequencies that you sometime just don't want to pick up. For example, when you are miking a high-hat you only want to capture the frequencies that the hi-hat is producing. Therefore, by using the LOW CUT filter, you can reduce the amount of pick-up from the low toms and bass drum that may leak into the hi-hat mic. You can use the same technique on other instruments like acoustic guitar, violin, piano and even on vocals. In live sound applications, the LOW CUT filter is especially useful for removing stage rumble. The C valve provides a variable LOW CUT filter that allows you to adjust the exact frequency at which the low frequencies begins to roll-off, or attenuate.



7 LOW CUT

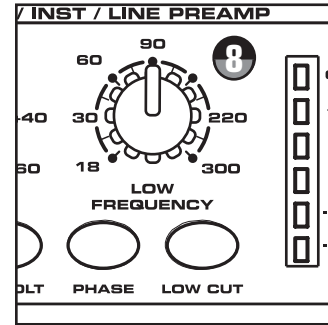
Use the LOW CUT switch to engage the LOW CUT filter. When the switch is pressed in, the green LED will illuminate indicating the LOW CUT filter is active. The bottom-end will begin to roll-off starting at the frequency set on the LOW FREQUENCY control knob. The LOW CUT filter attenuates all the frequencies below the set frequency at a 12dB per octave slope.

Operating The C valve

Using the Low Cut Filter (continued)

8 LOW FREQUENCY

You can set the exact frequency to start attenuating the low-end using the LOW FREQUENCY control knob. Be sure that the LOW CUT filter switch is engaged as described in the previous section. The variable LOW FREQUENCY rotary knob allows you to set the low-cut filter to operate at any frequency from 18 to 300Hz.

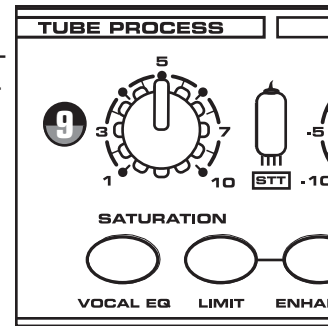


Using the Tube Process

The C valve features a 12AX7 vacuum tube for adding extra harmonic content to the signal. It produces a subtle amount of even order harmonic distortion (the distortion we like), the amount of which can be controlled by the SATURATION control knob.

9 SATURATION

Use the SATURATION rotary control knob to adjust the amount of “Tube Process”. Start with the SATURATION knob turned all the way down and slowly raise the control until you have the amount of “Tube Process” that you want.

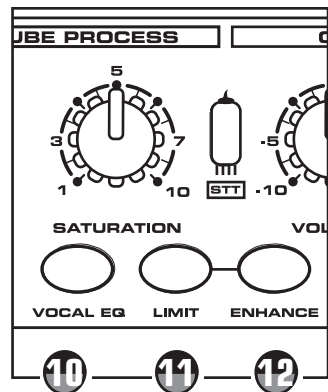


10 VOCAL EQ

The C valve features a pre-set equalization curve for “sweetening” your vocal, or for that matter, your instrument signal. The VOCAL EQ is a “shelving” equalization curve that lifts the high frequencies by 6db starting at 10 kilohertz. When you press the VOCAL EQ switch to the in position, the green LED will illuminate and you will be adding some airy top-end to the signal.

11 LIMIT

In order to help set, and keep, a good signal level, the C valve features an on-board limiter circuit. A limiter is a type of dynamics processor that automatically controls the gain of the signal by setting the maximum level that the signal can reach. Using a limiter will help you avoid unwanted peaks or overloads in the signal, which can sometimes cause undesirable distortion. When the LIMIT switch is pressed in, the yellow LED will illuminate indicating the C Valve is limiting the signal.



12 ENHANCER

The C valve’s ENHANCER will restore the high frequency content that can sometimes be lost when high gain reduction is applied from the limiter circuit. The enhancer circuit works by applying an equalized signal to the control voltage that is used in the LIMIT circuit. The equalized signal adds high frequencies back to the control voltage so that the limiter works with a little less effect on the high frequency content. The result is a restoration of the high frequency even if the LIMIT circuit is heavily active, so you get a thick sound that’s not dull.

Use the ENHANCER in conjunction with the LIMIT circuit, by pressing both the ENHANCER and LIMIT SWITCH in. The ENHANCER is active when the switch is in and the yellow LED is lit.

Operating The C valve

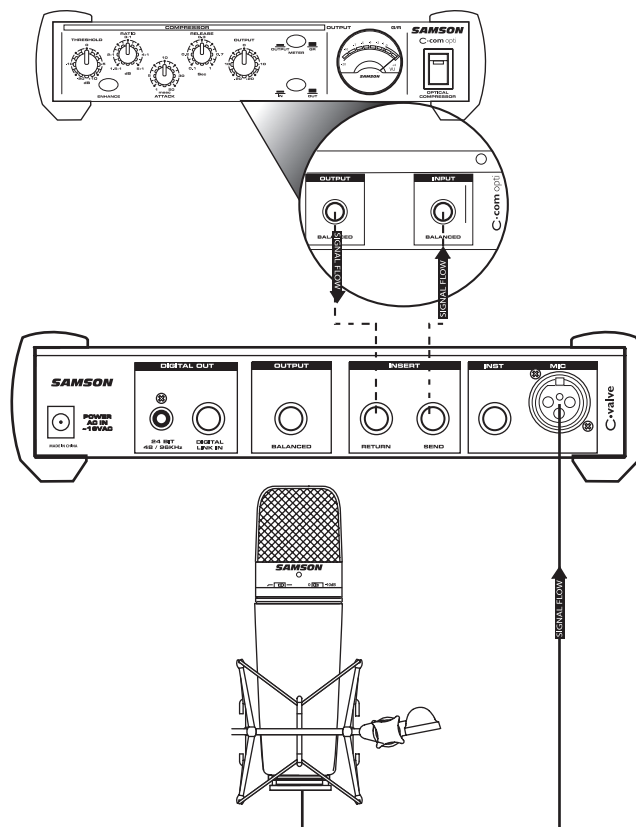
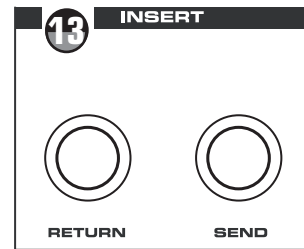
Using C valve With An External Signal Processor

To further control your signal, the C valve features an insertion point, or “effects loop”, on two 1/4-inch phone jacks, INSERT SEND and RETURN. An insertion point is a patch-point that interrupts the signal, allowing you to bring that signal outside to be processed by another device. You can use these connections to interface an external signal processor like an equalizer, compressor, noise gate, reverb and other audio devices to process the signal directly inside the C valve. A common application for the C valve’s insert point is using a compressor.

13 Insert Send and Return

To send a signal to an external processor, use a standard 1/4-inch cable to connect the rear panel INSERT SEND jack to the input of the external processor. The signal is sent back to the C valve using a second 1/4-inch cable by connecting the output of the external processor to the RETURN jack located on the C valve’s rear panel.

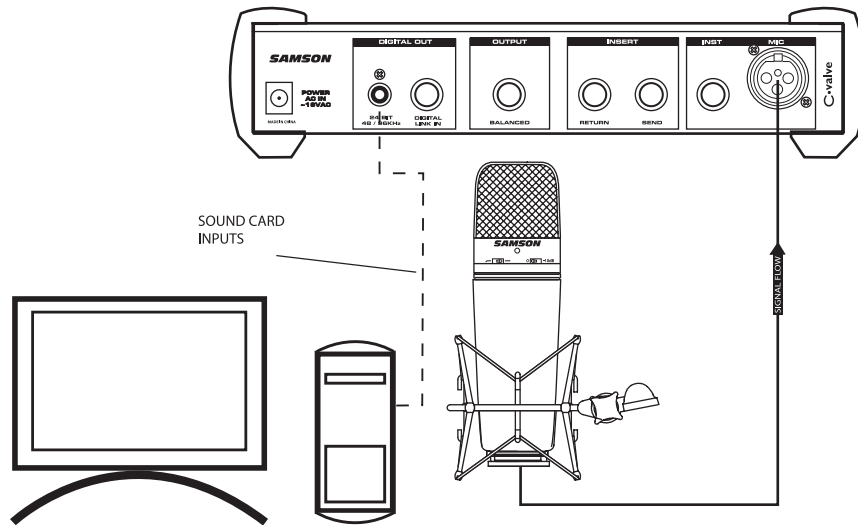
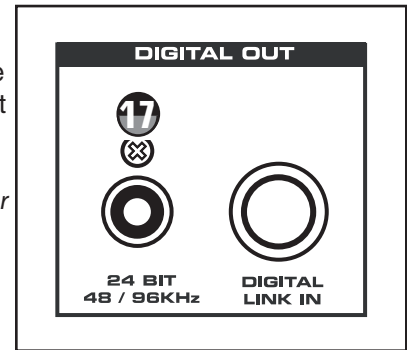
The diagram below shows a typical application for using a compressor (in this example a Samson C com opti) in the C valve’s insertion point.



Operating The C valve

17 Using the Digital Output

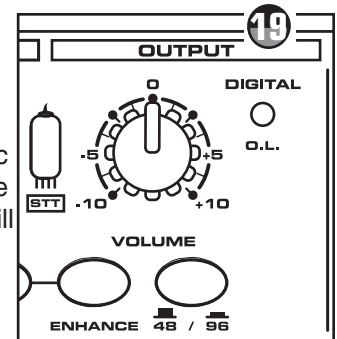
If you are using a digital recorder that has an S/PDIF digital input, you can take advantage of the C valve's high quality 24-bit A-to-D converter to make a direct digital connection. Use a high quality co-ax digital cable to connect the C valve's RCA S/PDIF output to the S/PDIF. When using one C valve, the mono signal is sent to both the left and right S/PDIF output. *You can use two C valve's for stereo recording by using the DIGITAL LINK jack as explained on page 13 of this manual.*



The C valve's A-to-D converter has a selectable sampling rate. Simply put, the sampling rate is how many times per second the A-to-D converter takes a digital picture of the sound. Use the 48 / 96 switch to select the sample rate that is compatible with your digital recording device.

18 48 / 96 Switch

The C valve has an internal 24-bit A-to-D converter that can be set to either 48 kilohertz or 96 kilohertz sampling rates. Be sure to set the digital input on your sound card or digital recorder to the same sample rate. To set the sampling rate on your sound card or digital recorder, see the manufacturers owners manual for your specific device. When the 48 / 96 switch is set to the out position (the LED is off), the sample rate is set to 48 kilohertz. When the 48 / 96 switch is set to the in position, the LED will illuminate indicating that the digital sampling rate is set to 96 kilohertz.



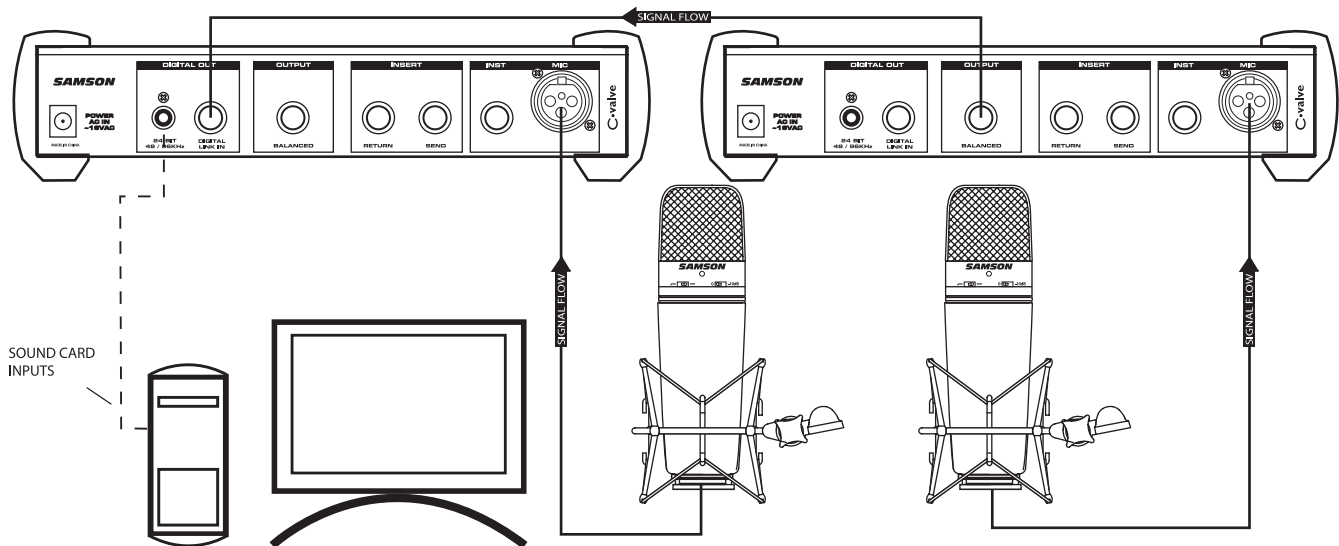
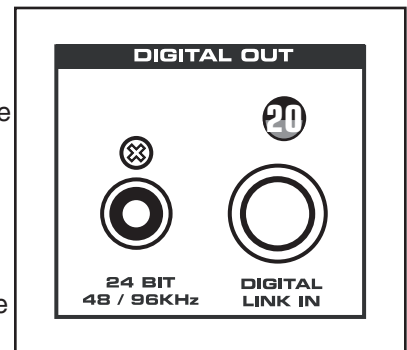
19 Digital OL indicator

In order to confirm that you are not clipping or overloading the input to the internal A-to-D converter, the C valve provides a Digital O.L. (Over Load) LED. Ideally, this LED should never come on while using the C valve's digital output for recording or live use. If this LED illuminates, turn down the output VOLUME control, and if necessary the INPUT GAIN control.

Operating The C valve

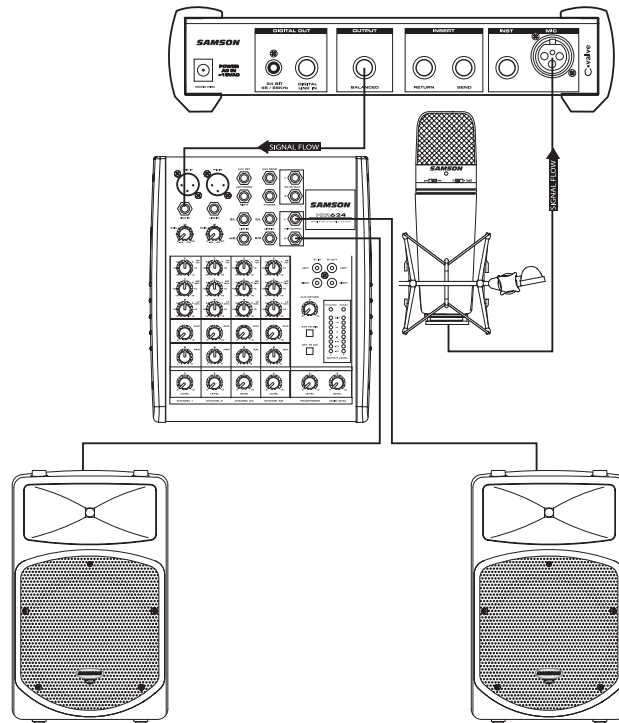
20 Using the DIGITAL LINK Jack

For stereo applications, you can connect two C valves together by using the DIGITAL LINK jack. The DIGITAL LINK jack is a 1/4-inch TRS (TIP, RING, SLEEVE) connector providing a balanced input that is connected directly to the C valve right channel input of the A-to-D converter. Since the C valve's signal is internally connected to the left A-to-D converter input, the signal from the second C valve's OUTPUT can be connected the DIGITAL LINK jack of the first unit to feed the right channel of the first C valve's A-to-D converter. Now use the S/PDIF output on the first C valve as one stereo digital output. The signal from the first C valve (or the left channel) is being carried on the left side of S/PDIF output and the signal from the second C valve (or the right channel) is being carried on the right side of the S/PDIF output. The following diagram shows a typical hook-up for connecting two C valves with one stereo digital output.



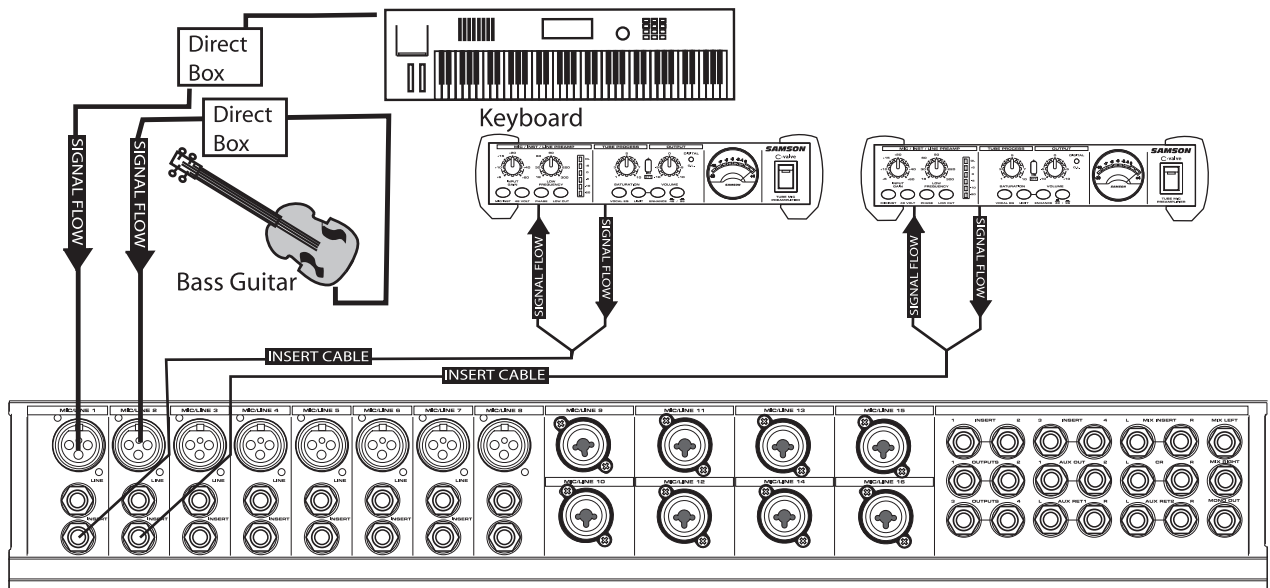
C valve System Set-Ups

Using C Valve in a Live PA System



In this example, a condenser microphone is connected to the C valve's MIC input using a standard XLR cable. To make a balanced connection, the C valve's output is connected to the input of a standard PA mixer using a standard 1/4-inch TRS (TIP-RING-SLEEVE) cable. The mixer's main left and right outputs are connected to powered PA speakers (for example, the Samson dB500a).

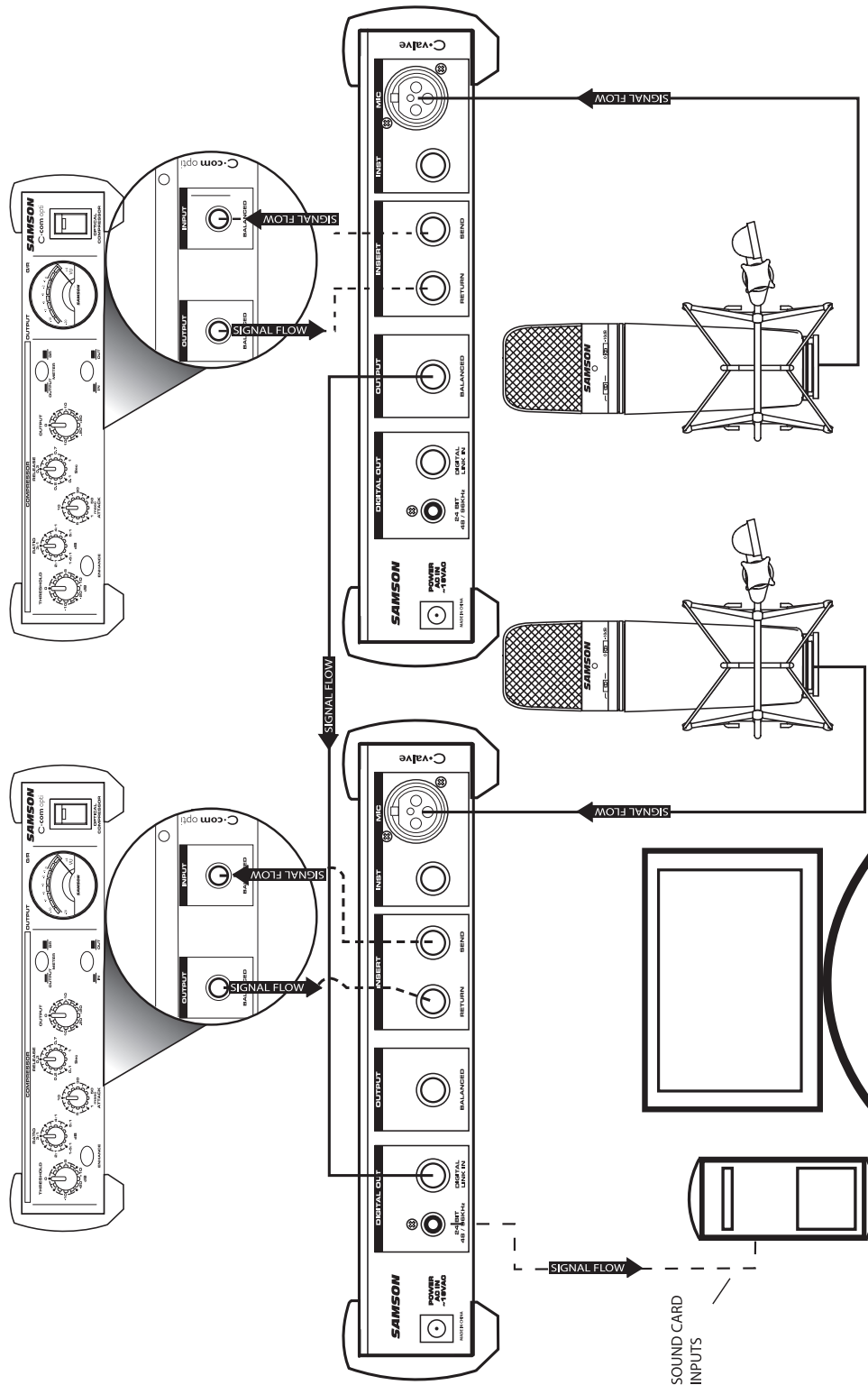
Using C Valve to Warm-up a signal



You can use the C valve to “warm-up” the signal from recorded tracks or instruments such as digital electric piano or bass, to name a couple. The example above shows the two C valves inserted into the insert point of a mixer on the keyboard and bass channels. Set the input and output level so that you get unity gain (the same level in and out), and then use the SATURATION control to adjust the amount of tube sound.

C valve System Set-Ups

C Valve Stereo Digital Recording Set-up with External Compression

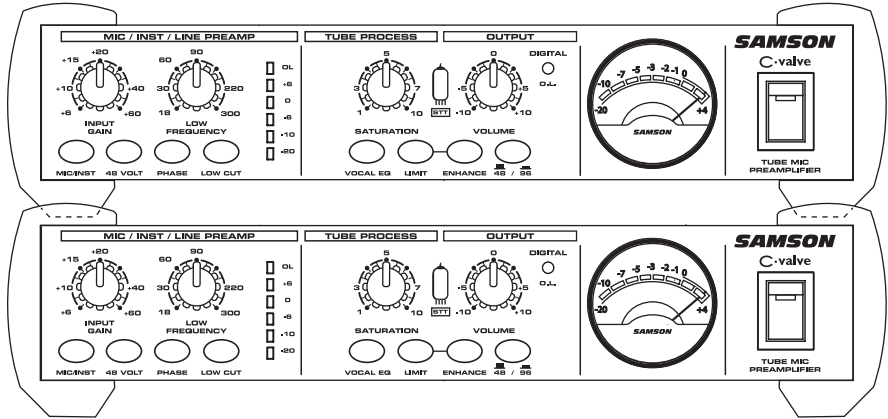


In this example, two C valves are used for recording a stereo signal to a computer based hard disk recorder. The balanced OUTPUT of the second C valve is connected to the DIGITAL LINK input on the first C valve so that both signals are sent the S/PDIF out on C valve one. For extra dynamics control, a compressor (in this case the Samson C com opti optical compressor) is connected to each C valve via the INSERT SEND and RETURN jacks.

Stacking and Tilting the C valve

Stacking the C valve

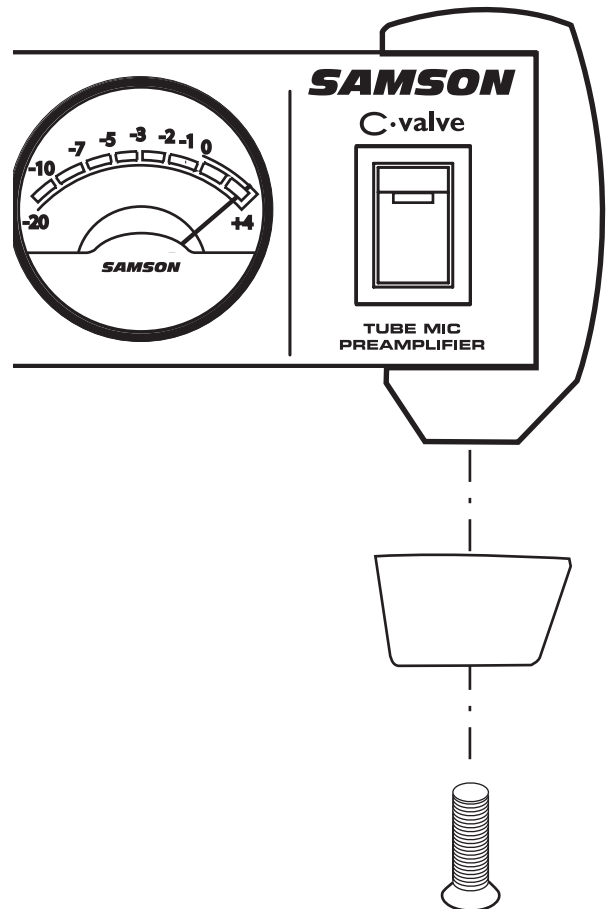
You can stack one C valve, or any other Samson C Class units, on top of each other by simply lining up the bumpers. Important Note: When stacking the C valve, be sure that only the bottom unit has the tilting feet installed.



Installing the Tilting Feet

You can install the tilting rubber feet included with your C valve so that you can set the unit at a comfortable operating angle on a workstation or desk-top. Follow the simple instructions below to install the tilting feet.

- Remove the bottom screw from right front bumper.
- Identify the right tilting foot by the locating "R" marking on the inside top.
- Position the angled foot under the right bumper as shown in the drawing.
- Use the included 4 x 10mm screw to attach the foot.
- Repeat the steps above for the front left bumper.



C valve Connections

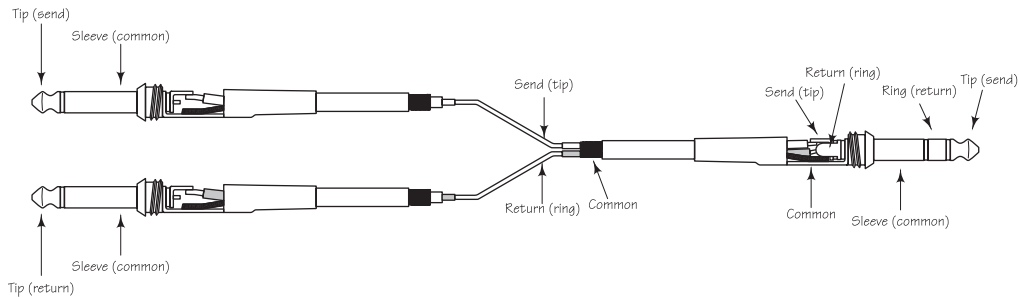
CONNECTING THE C valve

There are several ways to interface the C valve to support a variety of applications. The C valve features servo-balanced inputs and outputs, so connecting balanced and unbalanced signals is possible without any signal loss. The C valve can be used on a single instrument by connecting to a channel's insert points, or on an entire mix "in-line" between a mixer's outputs and a power amp or equalizer.

INSERT POINTS

Many mixers today provide channel and bus or group inserts. Insert points are input and output patch points that interrupt the channel or bus signal so that external processors can be connected. Channel insert points are ideal for connecting to when using the C valve to process a single channel like a vocal, bass or guitar. Bus insert points are ideal for compressing groups of instruments like vocals, strings or drums. If you are connecting to a channel's insert points, you may have a single TRS jack for Send & Return. In this case, use an Insert "Y" Cable that is configured like the one in the wiring diagram below.

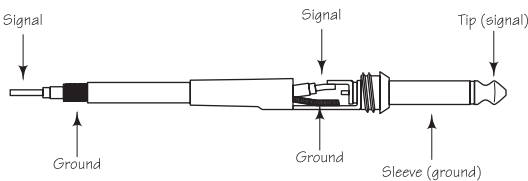
Insert Cable 1/4" male TRS connector to two male 1/4" in send and return configuration.



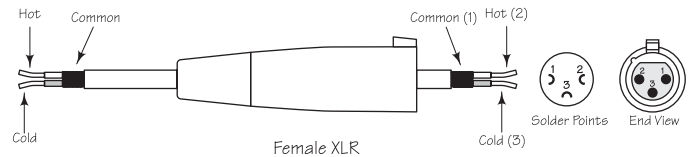
IN-LINE

In live sound operation, the C valve can be installed in-line between a mixer and equalizer or power amplifier. For these applications the C valve provides both 1/4" TRS connectors and XLR connectors to easily interface with most any professional audio device. Follow the wiring examples below for your particular installation.

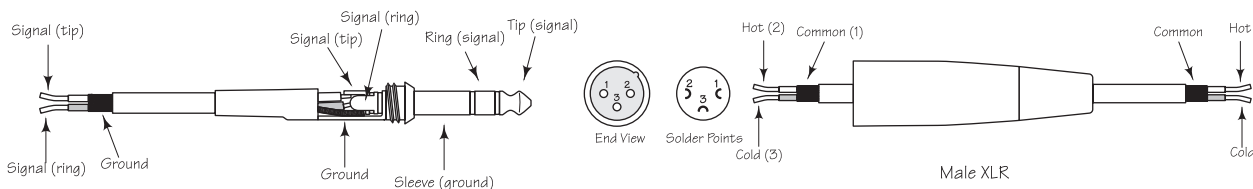
Unbalanced 1/4" Connector



XLR Balanced Wiring Guide



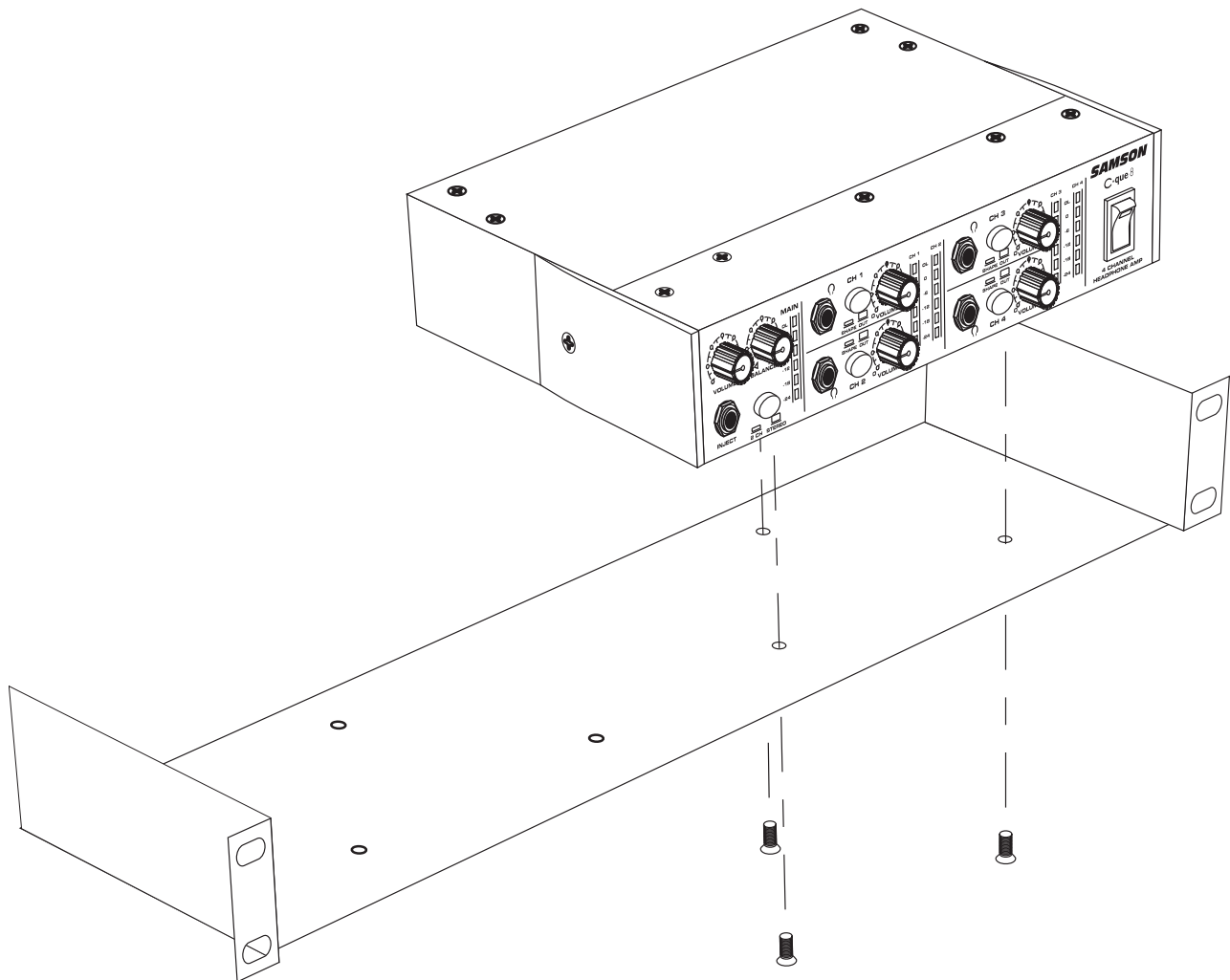
Balanced TRS 1/4" Connector



C•Class Dual Rack Adapter (optional)

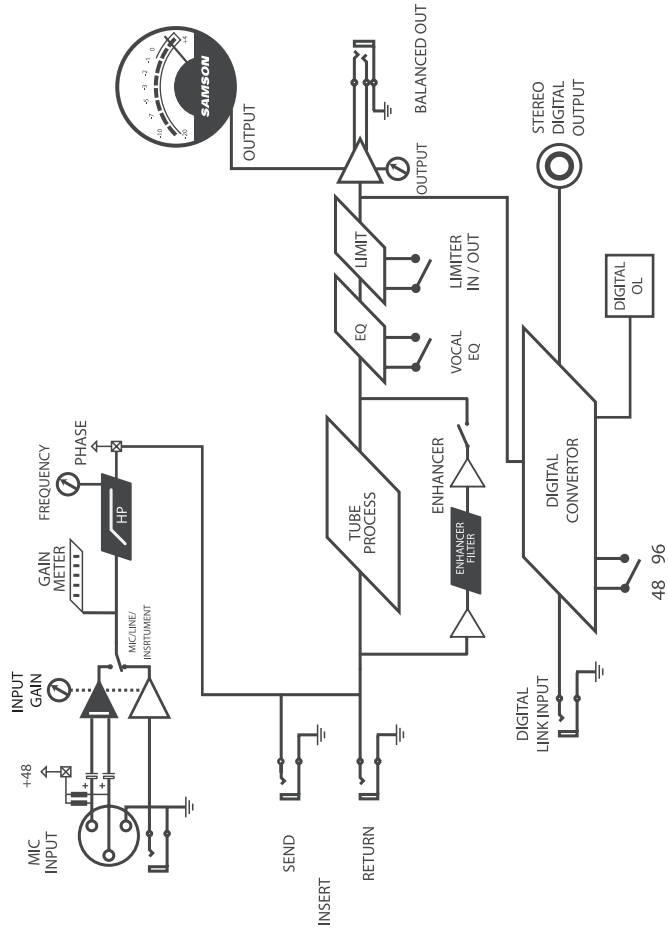
The C Class Dual Rack Adapter is available as an accessory from an authorized Samson dealer.

1. Disconnect any cables, that may be connected, from the C•Class unit to be mounted, i.e., the power supply cable, audio cables, headphones.
2. Align the holes in the C•Rack with the holes on the bottom of of the C•Class unit to be mounted. Use the supplied phillips head M4 machine screws to fix the unit to the rack as shown below.
3. Repeat steps 1 and 2 to mount the second C•Class unit if desired.
4. Once the units are mounted on the C• Rack, the assembly can be placed into a rack and secured via the rack ears. (Screws not supplied)
5. To remove the C•Class unit from the C•Rack, reverse the instructions above.



If you experience any difficulties, or require further assistance, contact Samson Customer Service at 1-800-3SAMSON (1-800-372-6766) M–F 9AM to 5PM (eastern standard time). For more product information please visit our website at www.samsontech.com.

C valve Block Diagram



CONNECTIONS

INPUT/OUTPUT/INSERT	
TIP	RING SLEEVE
HOT	COLD GND
INSERT	
TIP	RING SLEEVE
HOT	COLD GND
XLR	
PIN 1	PIN 2 PIN 3
GND	HOT COLD

www.samsontech.com

C·valve TUBE MIC PRE

Specifications

System Specifications

Frequency Response	20Hz to 20kHz + - 0.5 dB
Dynamic range	95 dBu, un-weighted, 22 Hz to 22 kHz
THD	0.008 % typ. @ +4 dBu, 1 kHz
Crosstalk	90dB 22 Hz to 22 kHz
Detector	RMS

Inst/Line In

Connectors	1/4"TRS jack
Impedance	1 meg Ohm balanced
Max. Input Level	+21 dBu, balanced and unbalanced

Mic Input

Connectors	XLR
Impedance	2.5k Ohm balanced
Max. Input Level	+21 dBu, balanced and unbalanced
CMRR	Typ. 40dB, >55dB @ 1kHz

Analog Output

Connectors	1/4"TRS jack
Impedance	60 Ohms balanced, 30 Ohms unbalanced
Max. Output Level	+21 dBu, balanced and unbalanced

Digital Output

Connector	RCA
Type	S/PDIF
Converter	24-bit
Sampling Rate	Selectable 48 / 96 kilohertz

Insert Send

Connector	1/4" jack
Impedance	>100 Ohm
Max. Input Level	+21 dBu

Insert Return

Connector	1/4" jack
Impedance	>10k
Max. Output Level	+21 dBu\

Power Supply

AC1800	18 VAC, 1 Amp
AC1800UK	USA/Canada
AC1800E	U.K.
AC1800AU	Europe
	Australia

Dimensions	1.61" (41 mm)H x 8.67" (220.68 mm) x 7.5" (192mm)
Net Weight	2.5 lbs (1.14 kg)
Shipping Weight	7.5 lbs (3.4 kgs)

Samson Technologies Corp.
575 Underhill Blvd.
P.O. Box 9031
Syosset, NY 11791-9031
Phone: 1-800-3-SAMSON (1-800-372-6766)
Fax: 516-364-3888
www.samsontech.com