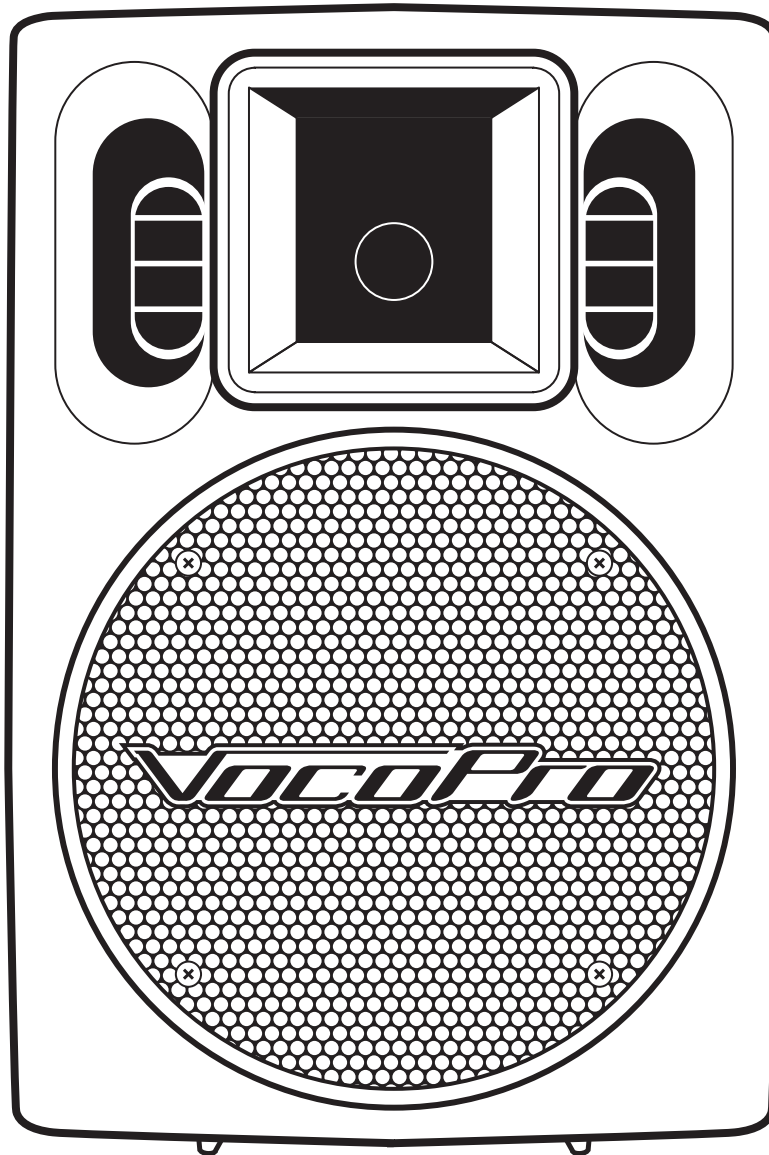




**VocoPro**<sup>®</sup>  
THE SINGERS ULTIMATE CHOICE<sup>™</sup>



# ***PV-802***

400W Powered Vocal Monitor  
with Built-in EQ

***OWNER'S MANUAL***

## Attaching the Speaker Stand Adapters

The PV-802 speakers can each be mounted on speaker stands using a VocoPro speaker stand adapter (sold separately).

*NOTE: These speaker stand adapters are included with the purchase of VocoPro SS-88 speakers stands. Contact your local VocoPro dealer to order a pair of VocoPro SS-88 speaker stands.*

### Attaching the Adapter to the Speakers

*NOTE: The 4 mounting screws are included with the PV-802.*

1. Remove the rubber pads covering the screw openings on the bottom of the PV-802 speakers to reveal the holes for the mounting screws. (Fig A)

*NOTE: DO NOT remove the screw that is already on the bottom of the PV-802 main speaker. This screw is keeping the internal amp and mixer in place and must not be removed.*

2. Align the slots on the flat part of the adapter with the holes on the bottom of the PV-802 speaker (Fig. B)
3. Screw in the screws, tightly fastening the adapter to the speaker.

*NOTE: Make sure the adapter is attached firmly to the speaker.*

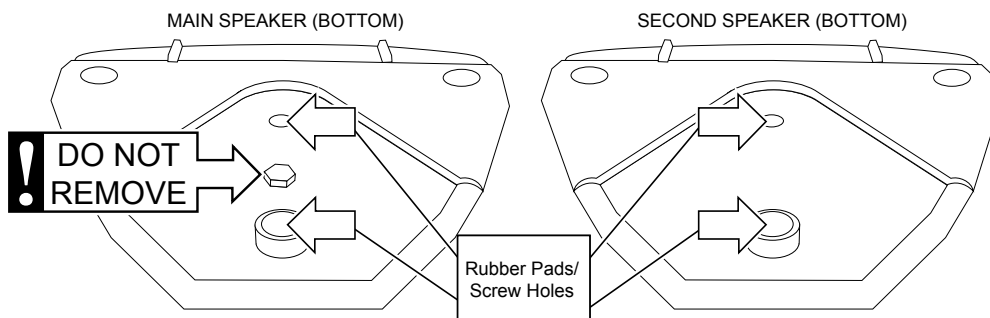


Fig.A

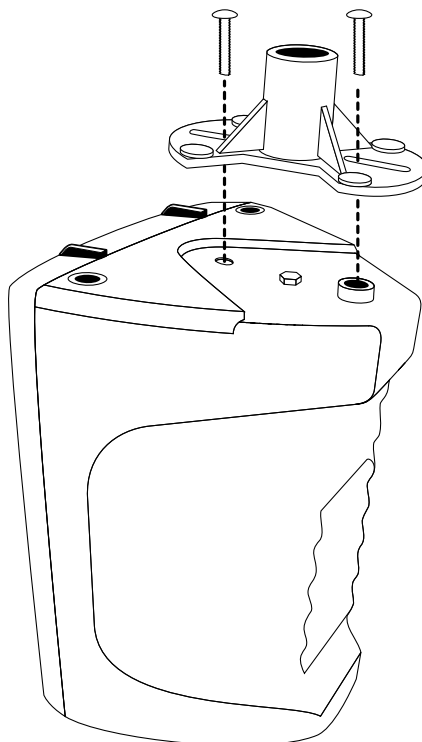


Fig.B

## Mounting on a Speaker Stand / Voltage Selector

### Setting up the Speaker Stands

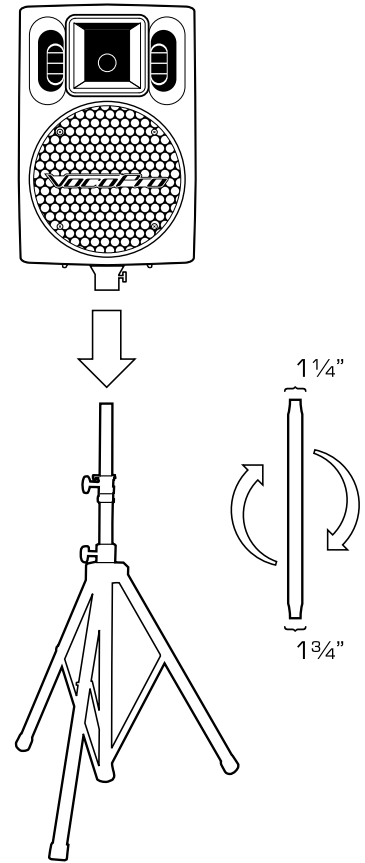
Setup each SS-88 speaker stand by extending the support legs to a position that is stable and tighten the tension mechanism firmly.

Each end of the SS-88 pole has a particular diameter fitted for common speakers' mounting cavities. If the SS-88 pole does NOT fit flush into the mounting adapter on the PV-802, loosen the SS-88 pole and reverse it in the stand and then remount the speaker.

### Mounting the Speaker(s)

Once the adapter is securely attached to the speaker:

1. Place the PV-802 on the SS-88 speaker pole
2. Fasten the fastener on the adapter until it is secured tightly
3. Repeat this for the next speaker



### Switching Voltage

The PV-802 has a voltage selector on the rear panel that switches between two voltage settings:

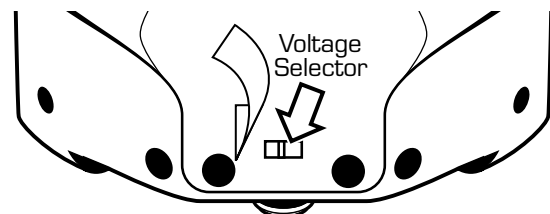
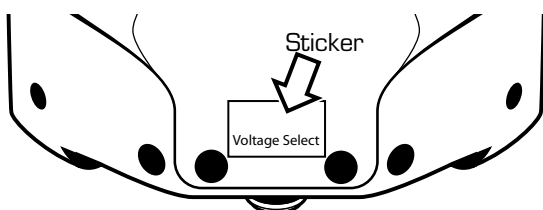
- 115V - North America, Canada, some South America
- 220V - Europe, Asia, some South America

*Note: The PV-802 comes preset to 115V and will only need to be switched if it is being used in a region that requires 220V.*

### To switch the voltage

1. Locate the voltage selector by removing the VOLTAGE SELECT sticker on the rear panel of the powered PV-802 speaker
2. Switch the selector to the proper voltage

**CAUTION:** Using the speakers while set to the wrong voltage can result in permanent damage and will void the warranty. Make sure you have set the PV-802 to the correct voltage before using.





Welcome.



And Thank you for purchasing the **PV-802** from VocoPro, your ultimate choice in Karaoke entertainment! With years of experience in the music entertainment business, VocoPro is a leading manufacturer of Karaoke equipment, and has been providing patrons of bars, churches, schools, clubs and individual consumers the opportunity to sound like a star with full-scale club models, in-home systems and mobile units. All our products offer solid performance and sound reliability, and to further strengthen our commitment to customer satisfaction, we have customer service and technical support professionals ready to assist you with your needs. We have provided some contact information for you below.

**VocoPro**  
1728 Curtiss Court  
La Verne, CA 91750  
**Toll Free: 800-678-5348**  
TEL: 909-593-8893  
FAX: 909-593-8890

**Customer Service & General Information**  
info@vocopro.com

**Tech Support**  
techsupport@vocopro.com

**Remember Our Website**

Be sure to visit the VocoPro website [www.vocopro.com](http://www.vocopro.com) for the latest information on new products, packages and promos. And while you're there don't forget to check out our Club VocoPro for Karaoke news and events, chat rooms, club directories and even a Service directory!

We look forward to hearing you sound like a PRO, with VocoPro, your ultimate choice in Karaoke entertainment.

**FOR YOUR RECORDS**

Please record the model number and serial number below, for easy reference, in case of loss or theft. These numbers are located on the rear panel of the unit. Space is also provided for other relevant information

**Model Number** .....  
**Serial Number** .....  
**Date of Purchase** .....  
**Place of Purchase** .....

# Table of Contents

## Introduction

Safety Instructions .....	2
FCC Information .....	3
Listening for a Lifetime .....	4
Specifications and Features .....	5


## Getting Started

Getting Started.....	6
Getting Connected.....	7


## Operations

Basic Operations.....	10
Troubleshooting.....	11

# Safety Instructions



**CAUTION**  
**RISK OF SHOCK**



CAUTION: To reduce the risk of electric shock, do not remove cover (or back). No user-serviceable parts inside. Only refer servicing to qualified service personnel.

## Explanation of Graphical Symbols



The lightning flash & arrowhead symbol, within an equilateral triangle, is intended to alert you to the presence of danger.



The exclamation point within an equilateral triangle is intended to alert you to the presence of important operating and servicing instructions.

## WARNING

To reduce the risk of fire or electric shock, do not expose this unit to rain or moisture.

- 1. Read Instructions**– All the safety and operating instructions should be read before the appliance is operated.
- 2. Retain Instructions**– The safety and operating instructions should be retained for future reference.
- 3. Heed Warnings**– All warnings on the appliance and in the operating instructions should be adhered to.
- 4. Follow Instructions**– All operating and use instructions should be followed.
- 5. Attachments**– Do not use attachments not recommended by the product manufacturer as they may cause hazards.
- 6. Water and Moisture**– Do not use this unit near water. For example, near a bathtub or in a wet basement and the like.
- 7. Carts and Stands**– The appliance should be used only with a cart or stand that is recommended by the manufacturer.
  - 7A.** An appliance and cart combination should be moved with care. Quick stops, excessive force, and uneven surfaces may cause an overturn.
- 8. Ventilation**– The appliance should be situated so its location does not interfere with its proper



ventilation. For example, the appliance should not be situated on a bed, sofa, rug, or similar surface that may block the ventilation slots.

- 9. Heat**– The appliance should be situated away from heat sources such as radiators, heat registers, stoves, or other appliances (including amplifiers) that produce heat.
  - 10. Power Sources**– The appliance should be connected to a power supply only of the type described in the operating instructions or as marked on the appliance.
  - 11. Grounding or Polarization**– Precautions should be taken so that the grounding or polarization means of an appliance is not defeated.
  - 12. Power-Cord Protection**– Power-supply cords should be routed so that they are not likely to be walked on or pinched by items placed upon or against them, paying particular attention to cords at plugs, convenience receptacles, and the point where they exit from the appliance.
  - 13. Cleaning**– Unplug this unit from the wall outlet before cleaning. Do not use liquid cleaners or aerosol cleaners. Use a damp cloth for cleaning.
  - 14. Power lines**– An outdoor antenna should be located away from power lines.
  - 15. Nonuse Periods**– The power cord of the appliance should be unplugged from the outlet when left unused for a long period of time.
  - 16. Object and Liquid Entry**– Care should be taken so that objects do not fall and liquids are not spilled into the enclosure through openings.
  - 17. Damage Requiring Service**– The appliance should be serviced by qualified service personnel when:
    - A. The power supply cord or plug has been damaged; or
    - B. Objects have fallen into the appliance; or
    - C. The appliance has been exposed to rain; or
    - D. The appliance does not appear to operate normally or exhibits a marked change in performance; or
    - E. The appliance has been dropped, or the enclosure damaged.
  - 18. Servicing**– The user should not attempt to service the appliance beyond that described in the operating instructions. All other servicing should be referred to qualified service personnel.
- Note:**  
To CATV system installer's (U.S.A.): This reminder is provided to call the CATV system installer's attention to Article 820-40 of the NEC that provides guidelines for proper grounding and, in particular, specifies that the cable ground shall be connected as close to the point of cable entry as practical.

# FCC INFORMATION (U.S.A.)

**1. IMPORTANT NOTICE: DO NOT MODIFY THIS UNIT!:** This product, when installed as indicated in the instructions contained in this manual, meets FCC requirements. Modifications not expressly approved by Vocopro may void your authority, granted by the FCC, to use this product.

**2. IMPORTANT:** When connecting this product to accessories and/or another product use only high quality shielded cables. Cable(s) supplied with this product **MUST** be used. Follow all installation instructions. Failure to follow instructions could void your FCC authorization to use this product in the U.S.A.

**3. NOTE:** This product has been tested and found to comply with the requirements listed in FCC Regulations, Part 15 for Class "B" digital devices. Compliance with these requirements provides a reasonable level of assurances that your use of this product in a residential environment will not result in harmful interference with other electronic devices. This equipment generates/uses radio frequencies and, if not installed and used according to the instructions found in the owner's manual, may cause interference harmful to the operation of other electronic devices. Compliance with FCC regulations does not guarantee that interference will not occur in all installations. If this product is found to be the source of interference, which can be determined by turning the unit "Off" and "On", please try to eliminate the problem by using one of the following measures:

Relocate either this product or the device that is being affected by the interference.

Use power outlets that are on different branch (circuit breaker or fuse) circuits or install AC line filter(s).

In the case of radio or TV interference, relocate/reorient the antenna. If the antenna lead-in is 300-ohm ribbon lead, change the lead-in to coaxial type cable.

If these corrective measures do not produce satisfactory results, please contact your local retailer authorized to distribute Vocopro products. If you can not locate the appropriate retailer, please contact Vocopro, 1728 Curtiss Court, La Verne, CA 91750.

## CAUTION

The apparatus is not disconnected from the AC power source so long as it is connected to the wall outlet, even if the apparatus itself is turned off. To fully insure that the apparatus is indeed fully void of residual power, leave unit disconnected from the AC outlet for at least fifteen seconds.

## CAUTION: READ THIS BEFORE OPERATING YOUR UNIT

1. To ensure the finest performance, please read this manual carefully. Keep it in a safe place for future reference.
2. Install your unit in a cool, dry, clean place - away from windows, heat sources, and too much vibration, dust, moisture or cold. Avoid sources of hum (transformers, v motors). To prevent fire or electrical shock, do not expose to rain and water.
3. Do not operate the unit upside-down.
4. Never open the cabinet. If a foreign object drops into the set, contact your dealer.
5. Place the unit in a location with adequate air circulation. Do not interfere with its proper ventilation; this will cause the internal temperature to rise and may result in a failure.
6. Do not use force on switches, knobs or cords. When moving the unit, first turn the unit off. Then gently disconnect the power plug and the cords connecting to other equipment. Never pull the cord itself.
7. Do not attempt to clean the unit with chemical solvents: this might damage the finish. Use a clean, dry cloth.
8. Be sure to read the "Troubleshooting" section on common operating errors before concluding that your unit is faulty.
9. This unit consumes a fair amount of power even when the power switch is turned off. We recommend that you unplug the power cord from the wall outlet if the unit is not going to be used for a long time. This will save electricity and help prevent fire hazards. To disconnect the cord, pull it out by grasping the plug. Never pull the cord itself.
10. To prevent lightning damage, pull out the power cord and remove the antenna cable during an electrical storm.
11. The general digital signals may interfere with other equipment such as tuners or receivers. Move the system farther away from such equipment if interference is observed.

## NOTE:

Please check the copyright laws in your country before recording from records, compact discs, radio, etc. Recording of copyrighted material may infringe copyright laws.

# Listening For A Lifetime

---

Selecting fine audio equipment such as the unit you've just purchased is only the start of your musical enjoyment. Now it's time to consider how you can maximize the fun and excitement your equipment offers. VocoPro and the Electronic Industries Association's Consumer Electronics Group want you to get the most out of your equipment by playing it at a safe level. One that lets the sound come through loud and clear without annoying blaring or distortion and, most importantly, without affecting your sensitive hearing.

Sound can be deceiving. Over time your hearing "comfort level" adapts to a higher volume of sound. So what sounds "normal" can actually be loud and harmful to your hearing. Guard against this by setting your equipment at a safe level BEFORE your hearing adapts.

To establish a safe level:

- Start your volume control at a low setting.
- Slowly increase the sound until you can hear it comfortably and clearly, and without distortion.

Once you have established a comfortable sound level:

- Set the dial and leave it there.
- Pay attention to the different levels in various recordings.

Taking a minute to do this now will help to prevent hearing damage or loss in the future. After all, we want you listening for a lifetime.

Used wisely, your new sound equipment will provide a lifetime of fun and enjoyment. Since hearing damage from loud noise is often undetectable until it is too late, this manufacturer and the Electronic Industries Association's Consumer Electronics Group recommend you avoid prolonged exposure to excessive noise. This list of sound levels is included for your protection.

## **Some common decibel ranges:**

Level	Example
30	Quiet library, Soft whispers
40	Living room, Refrigerator, Bedroom away from traffic
50	Light traffic, Normal Conversation
60	Air Conditioner at 20 ft., Sewing machine
70	Vacuum cleaner, Hair dryer, Noisy Restaurant
80	Average city traffic, Garbage disposals, Alarm clock at 2 ft.

## **The following noises can be dangerous under constant exposure:**

Level	Example
90	Subway, Motorcycle, Truck traffic, Lawn Mower
100	Garbage truck, Chainsaw, Pneumatics drill
120	Rock band concert in front of speakers
140	Gunshot blast, Jet plane
180	Rocket launching pad

-Information courtesy of the Deafness Research Foundation

# Specifications and Features

## Specifications

- Master power output..... 200W + 200W
- Frequency response..... 20Hz - 20kHz ( $\pm 2$ dB)
- Total harmonic distortion.....  $\leq 0.5\%$
- Input impedance ..... 47K
- Input sensibility.....  $\leq 300$ mv
- Max input signal..... 5V p-p
- Signal-to-noise .....  $\geq 90$ dB
- Treble adjustment.....  $\pm 10$ dB
- Bass adjustment .....  $\pm 10$ dB

## Features

- Pair of Vocal Speakers designed for studio or club use
- Powerful 400W (MAX) built-in amplifier
- Self-powered speakers do not require an external amplifier
- 8" woofer designed for live vocals
- Compression tweeter produces smooth, crystal-clear highs
- Master volume control w/ built-in EQ controls
- Speaker stand mountable with optional speaker stand adapter
- Outputs: Speakon speaker out, Stereo (L/R) RCA Record Out
- Inputs: Stereo (L/R) RCA Line In

# Getting Started

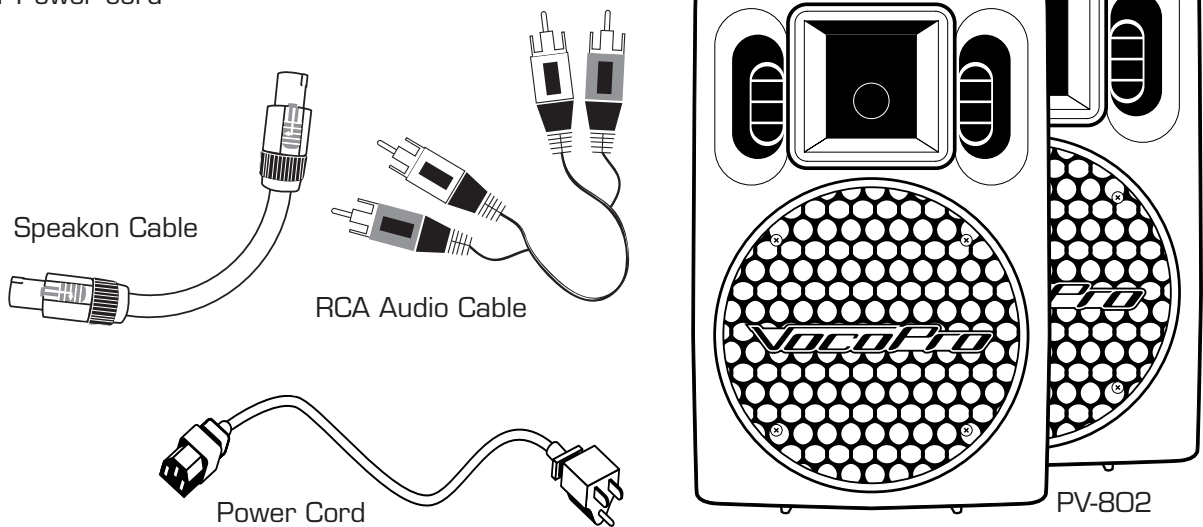
The PV-802 200W Powered Speaker system is self-powered and does not need an external amplifier to supply it with power. This means you can connect any mixer, player or other audio device directly to its Stereo RCA Audio Inputs for instant sound.

## Before Getting Started

Follow this quick setup guide for basic step-by-step instructions on setting up your PV-820 powered speaker. Because every system varies, you may be required to purchase additional/longer cables, adaptors, etc. in order to integrate the PV-802 into your system.

The following items should be included with your PV-802:

- 2 PV-802 Powered Speakers (1 powered and 1 un-powered)
- 1 "Speakon to Speakon" speaker cable
- 1 L/R (red and white) RCA audio cable
- 1 Power cord



## Mounting on a Speaker Stand (Optional)

The PV-802 speakers can each be mounted on a VocoPro speaker-stand using a VocoPro speaker-stand adapter. Contact your nearest VocoPro dealer to purchase a VocoPro Speaker stand.

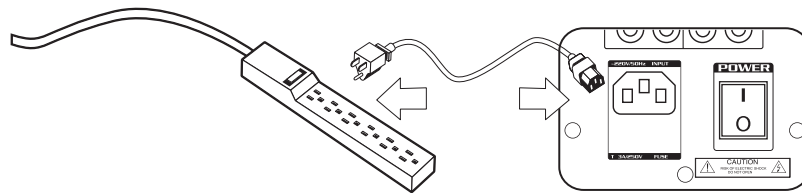
# Getting Connected

The PV-802 200W Powered Speaker system is self-powered and does not need an external amplifier to supply it with power. The second speaker is powered by the first when connected with the included Speakon speaker cable. This means you can connect any mixer, player or other audio device directly to its Stereo RCA Audio Inputs for instant sound.

## Getting Connected

### Connecting the Power (Power Cord Included)

1. Connect the correct end to the AC INPUT on the rear panel of the PV-802. See diagram below.
2. Connect the other end to a surge protector, power strip or wall plug.



*NOTE: It is recommended that you use a surge protector to protect the speaker from any unexpected power surges, which could result in a defective product and will void the warranty.*

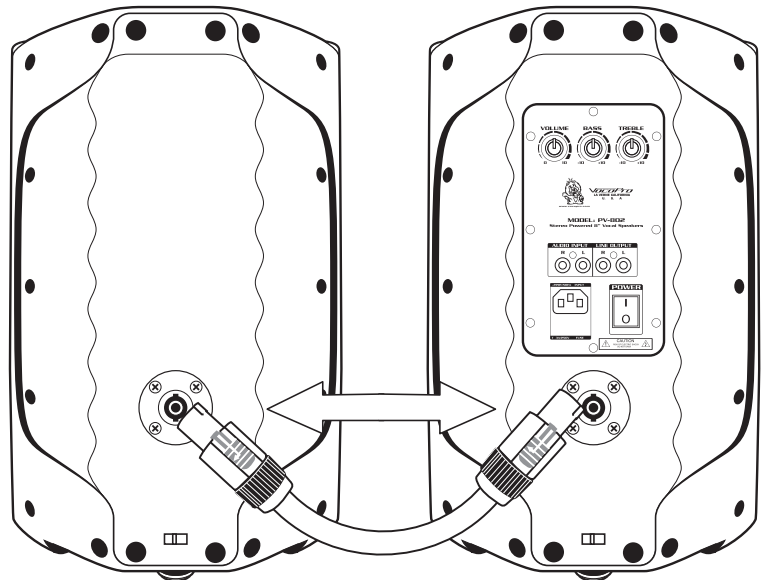
### Connecting to a Second Un-powered Speaker

Using a Speakon cable (Included)

What you will need

- Speakon speaker cable
- Second speaker with a Speakon jack

1. Connect one end of the Speakon speaker cable to the Speakon jack on the rear panel of the PV-802
2. Connect the other end of the Speakon speaker cable to the Speakon input jack on a non-powered speaker



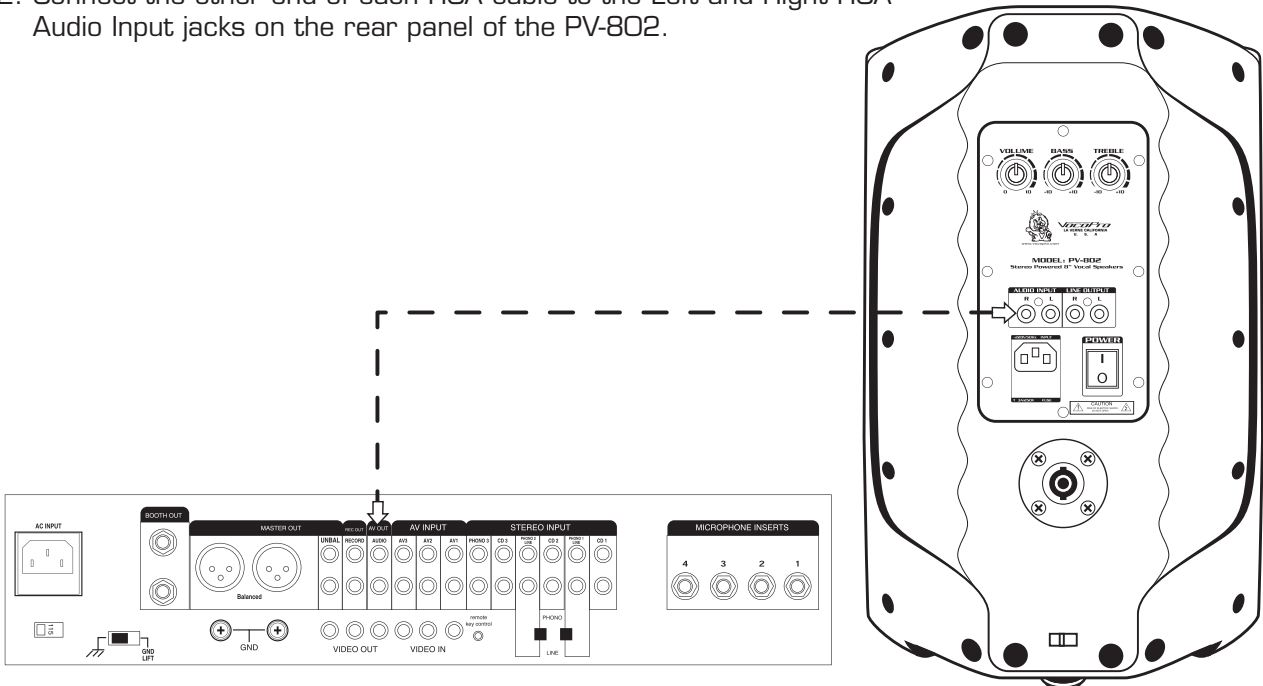
## Getting Connected cont . . .

### Connecting a Mixer

What you will need

- Audio mixer with Left and Right RCA audio outputs
- Left and Right (red and white) RCA audio cables

1. Connect one end of each RCA cable to the RCA audio Left and Right outputs on the mixer.
2. Connect the other end of each RCA cable to the Left and Right RCA Audio Input jacks on the rear panel of the PV-802.



*PV-802 Connected to VocoPro's KJ-7800 PRO*

### Connecting a Player Directly to a Speaker

What you will need

- Disc or tape player with Left and Right RCA audio outputs
- Left and Right (red and white) RCA audio cables

1. Connect one end of each RCA cable to the RCA audio Left and Right outputs on the player
2. Connect the other end of each RCA cable to the Left and Right RCA Audio Input jacks on the rear panel of the PV-802.

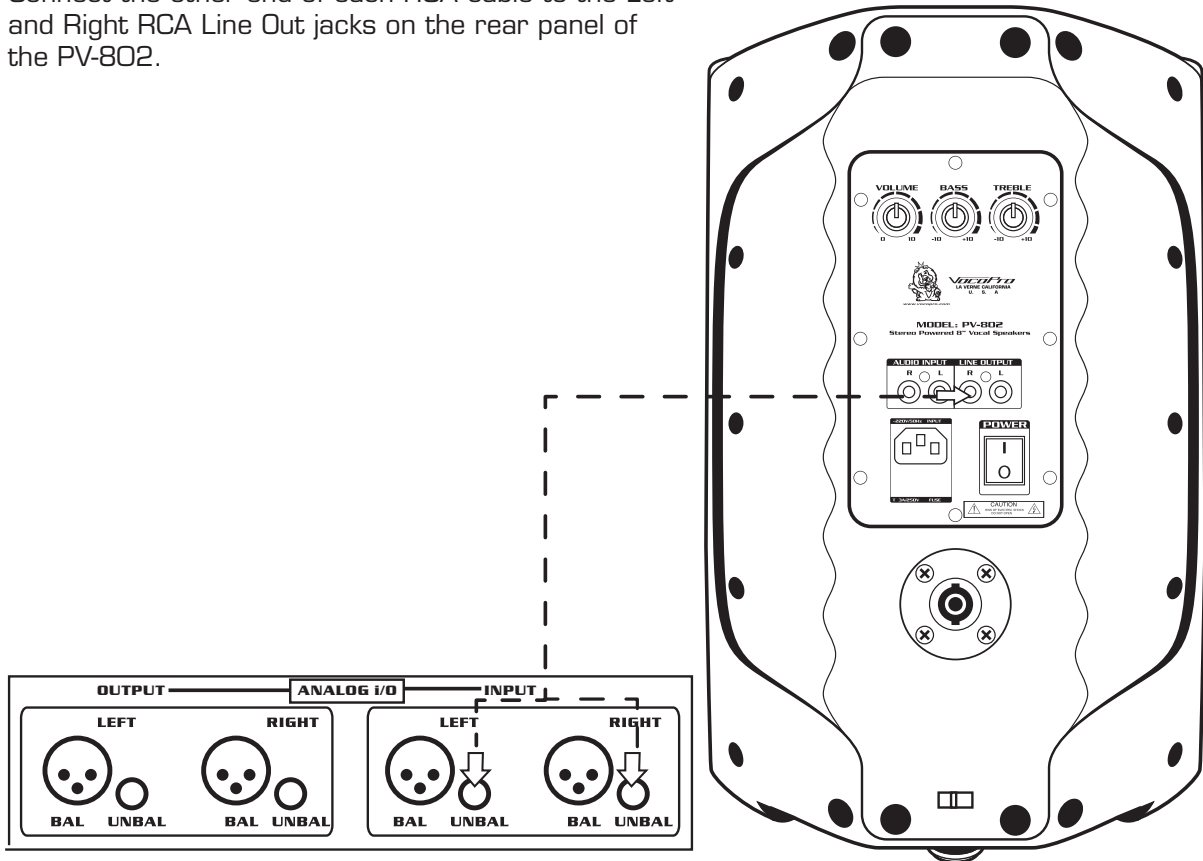
# Getting Connected cont . . .

## Connecting to a Recording Device

What you will need

- Recording device with Left and Right RCA audio inputs
- Left and Right (red and white) RCA audio cables

1. Connect one end of each RCA cable to the RCA audio Left and Right inputs on the recording device
2. Connect the other end of each RCA cable to the Left and Right RCA Line Out jacks on the rear panel of the PV-802.



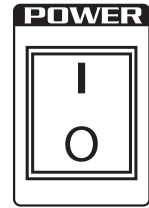
*PV-802 Connected to VocoPro's CDR-1000 PRO*

# Basic Operations

## Operations

### Turning the Power On and Off

1. Press the power switch up to the On position to turn the power on
2. Press the power switch down to the Off position to turn the power off



### Adjusting the volume

The volume control is located on the rear panel

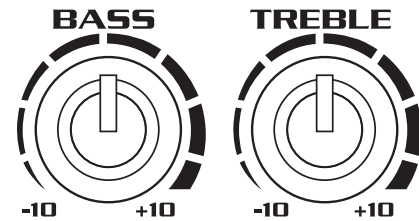
1. Turn clockwise to increase the volume
2. Turn counter-clockwise to decrease the volume



### Adjusting the EQ

The PV-802 comes with Bass (low end) and Treble (high end) controls for fine tuning the overall tone. Adjust the EQ to find the tone that best fits each room.

- If the sound is too bassy, muddy-sounding or muffled, try turning the bass down or the the treble up
- If the sound is very tinny or there is a lot of feedback, try turning the treble down or the bass up



# Troubleshooting

## **There is no sound coming out of either of the speakers**

- Make sure the power is on
- Make sure the PV-802 volume is turned up
- Make sure all cables are securely connected to the proper jacks
- Make sure there are no damaged or bad cables
- Make sure all other devices, i.e. players, mixers, etc., are turned on and their volume is turned up

## **There is no sound coming out of the second speaker**

- Make sure the Speakon speaker cable is firmly attached to both speakers

## **There is a lot of feedback or a high-pitched squealing**

- Lower the treble on the speaker, mixer, etc.
- Try repositioning the microphones if you are using microphones
- Lower the microphone volume, mixer volume, player volume, etc.

## **The audio sounds muffled and unclear**

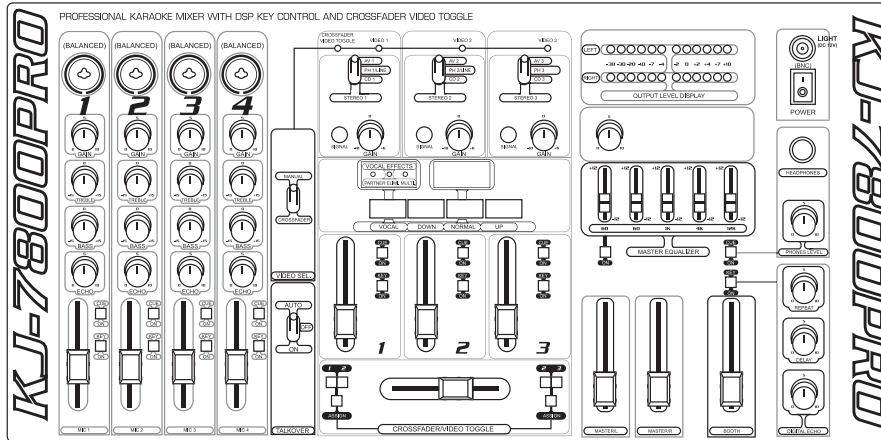
- Lower the bass on the speaker, mixer, etc.
- Make sure the microphone(s), mixer, player, etc. are working properly and are set to the correct settings

## **There is a loud popping sound coming out of the speakers**

- There may be a bad cable somewhere in the system
- Make sure there are no damaged microphones

## Featured VocoPro Products

Here are some of the other great VocoPro products featured in this manual. You can find more information at our website: [www.vocopro.com](http://www.vocopro.com).



### KJ-7800 PRO

7 Channel Pro KJ/DJ/VJ Mixer  
World's First Mixer with Crossfader  
and Video Toggle in One



### CDR-1000 PRO

Professional Single Space  
CD Recorder/Player



**VocoPro**  
THE SINGERS ULTIMATE CHOICE

## Notes



**VocoPro**<sup>®</sup>

THE SINGERS ULTIMATE CHOICE<sup>™</sup>



**PV-802 MANUAL ©2006 VOCOPRO  
WWW.VOCOPRO.COM**