

FISHMAN FLUENCE™

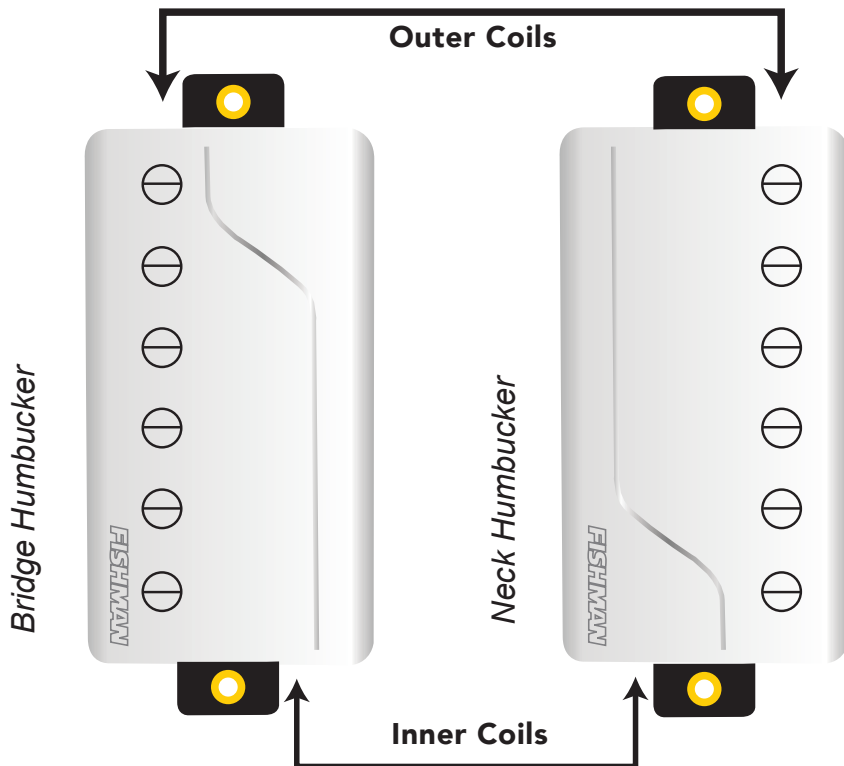
Coil Tapping

Fluence humbuckers can be coil-tapped to create additional variations in tone. Tapping activates only one of the two coils in your pickup. There are subtle differences in sound between tapping the inner and outer coils.

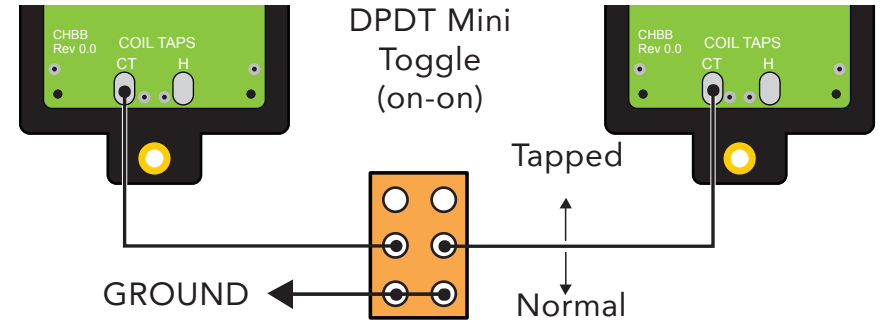
Connecting the hot(s) (H) to the center tap(s) (CT) activates the outer coil(s).

Connecting the center tap(s) (CT) to ground activates the inner coil(s).

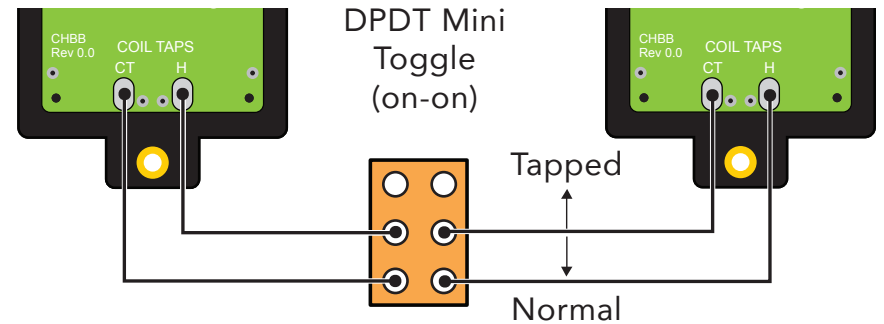
Some hum cancelling is provided when Bridge and Neck pickups are tapped simultaneously.



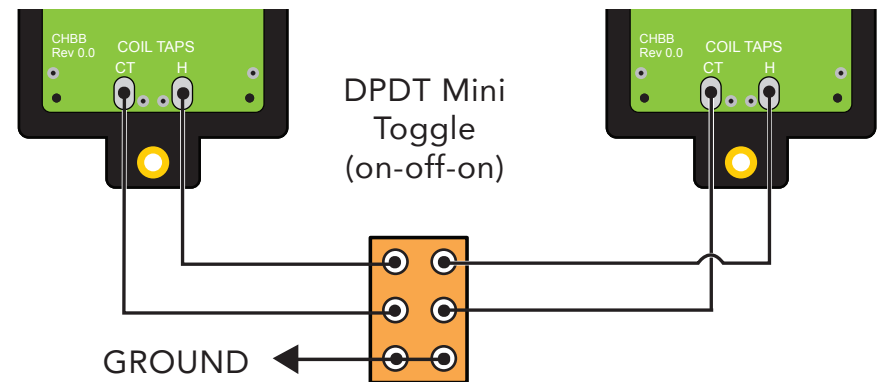
OPTION 1: Inner Coil Tap



OPTION 2: Outer Coil Tap



OPTION 3: Inner & Outer Coil Tap



Solder points located on rear of pickups